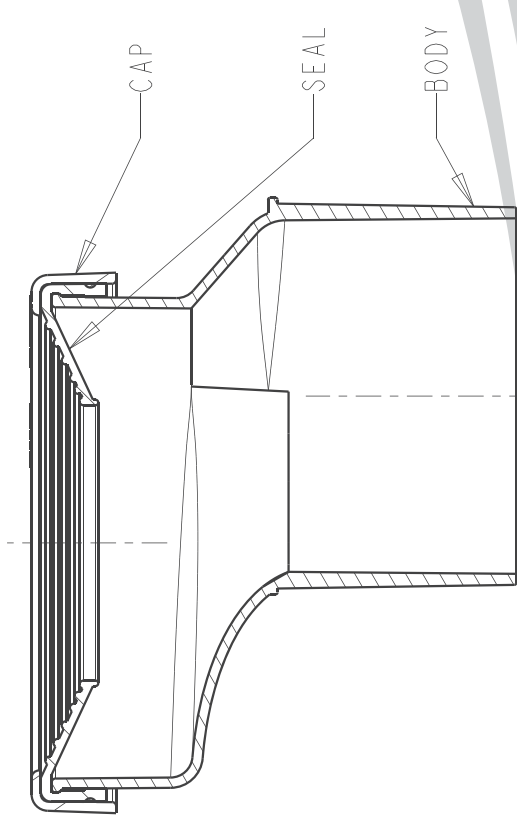
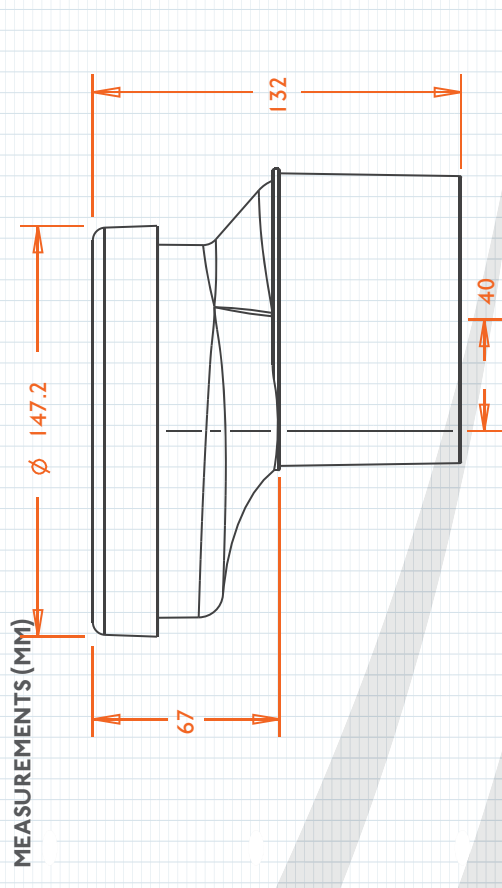
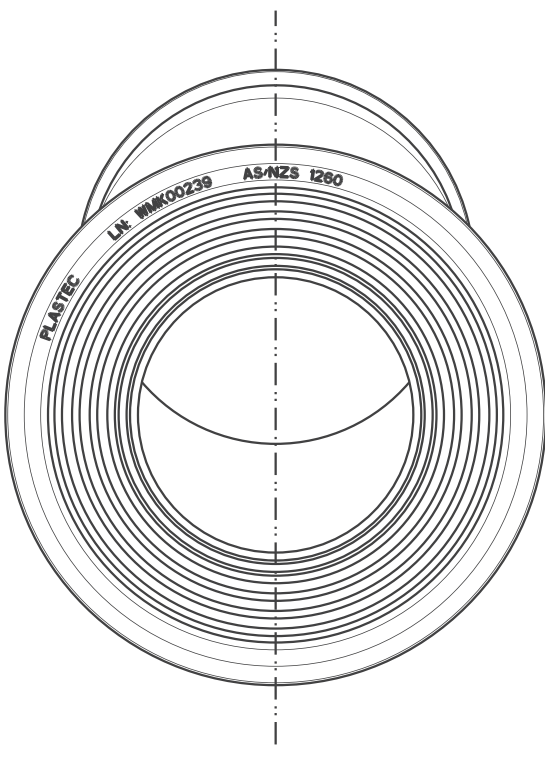


PAN CONNECTORS
40MM OFFSET - LOW RISE - SOLVENT WELD

- Solvent weld into 100mm DWV pipe.
- Ensure that the outlet of the WC doesn't come in contact with the base of the Pan Connector body.



ID	13646	Ø	100	WaterMark	30
----	-------	---	-----	-----------	----



NOTE: Plastec does not recommend the installation of Offset Pan Connectors to P trap installations and such use will void warranty.