



PLASTEC

PRODUCT SPECIFICATIONS

SWIVEL & EXPANSION JOINTS

DWV COMBINATION JOINTS 52MM EXPANSION

- Allows for 40 degrees inclusive swivel movement
- Allows for 52mm maximum expansion
- Compact fitting



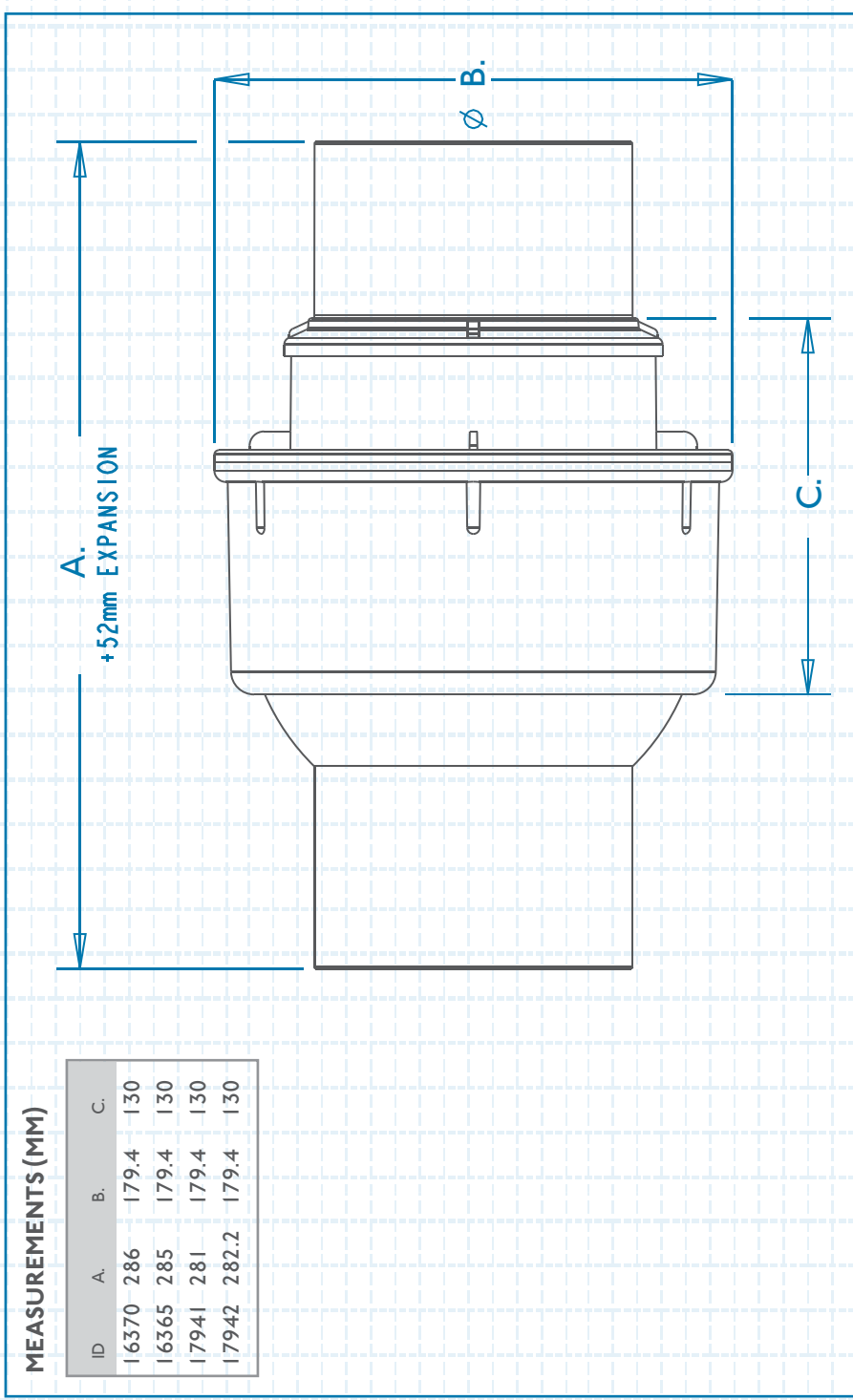
ID	INLET	OUTLET	MAX EXP
16370	100 Pipe Size	Pipe Size	52 8
16365	100 Pipe Size	Socket	52 8
17941	100 Socket	Socket	52 8
17942	100 Socket	Pipe Size	52 8

RELATED PRODUCTS: • DWV 80mm expansion and 120mm expansion Combination Joints also available • HDPE compatible Combination Joints also available.

MEASUREMENTS (MM)

ID	A.	B.	C.
16370	286	179.4	130
16365	285	179.4	130
17941	281	179.4	130
17942	282.2	179.4	130

A. +52mm EXPANSION



WMTS055

PH: 07 5413 4444 WWW.PLASTEC.COM.AU

DETAILS CORRECT AT TIME OF PRINTING (25.01.2016), BUT IS SUBJECT TO CHANGE



DIAMETER (MM)



FASTENING



BAG QTY



CARTON QTY



FINISH/COLOUR



MEASUREMENT (MM)