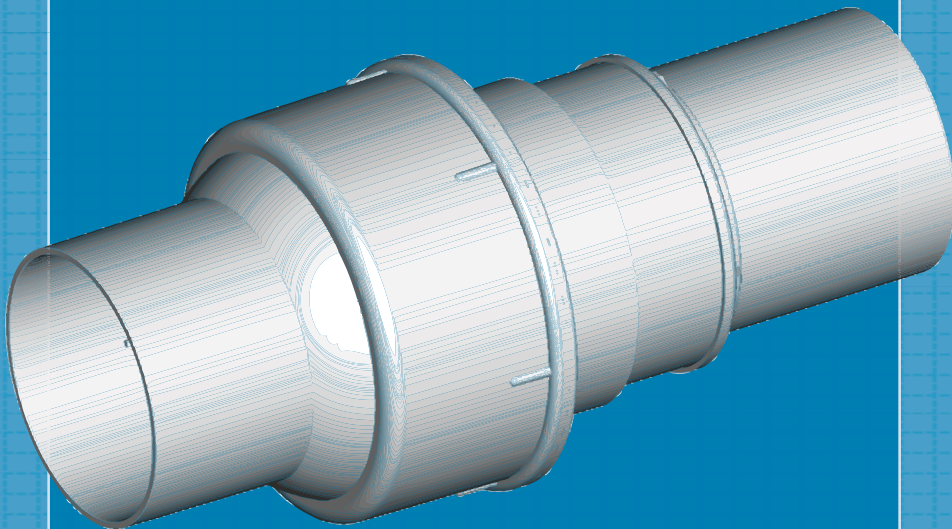



**NOW
AVAILABLE**

SWIVEL & EXPANSION 120MM COMBINATION JOINTS

We have recently extended our range of Swivel and Expansion Combination Joints to include a unique product capable of reaching an unprecedented 120mm extension length



- With the advantages of both an expansion and a swivel joint combined, this product is the ideal choice for all round flexibility
- Suitable for use in a variety of reactive soil classification sites including M, H1 and H2
- The ideal first fitting from footing product on all sites susceptible to soil movement

ID	⌀ (MM)	INLET	OUTLET	MAX EXP(MM)	
18634	100	Pipe Size	Socket	120	8
18635	100	Pipe Size	Pipe Size	120	8
18739	100	Socket	Socket	120	TBA

WWW.PLASTEC.COM.AU

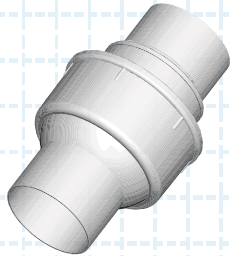
LIKE US ON FACEBOOK 

SWIVEL & EXPANSION COMBINATION JOINTS (120MM EXPANSION)

COMBINATION JOINTS

Plastec's range of swivel and expansion combination joints offer great flexibility in one compact fitting.

Ideal for use in all types of soil classifications and ideal for plumbing, drainage, trade waste, septic and rainwater tank installations.

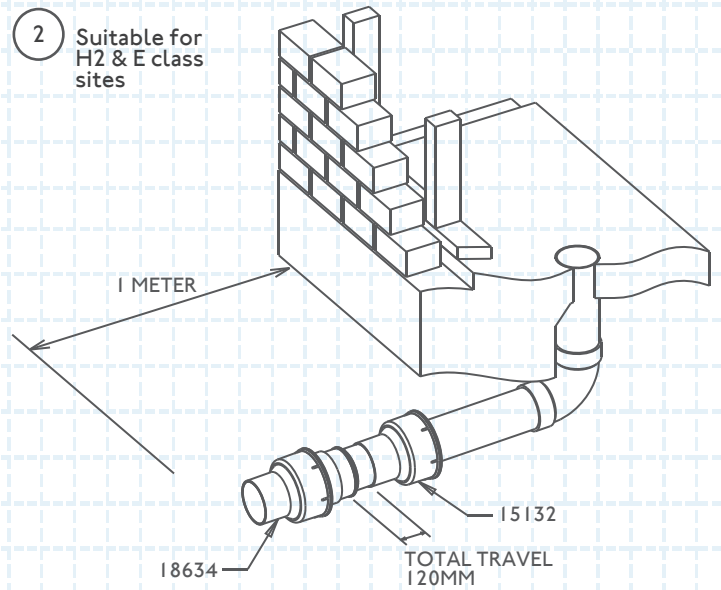
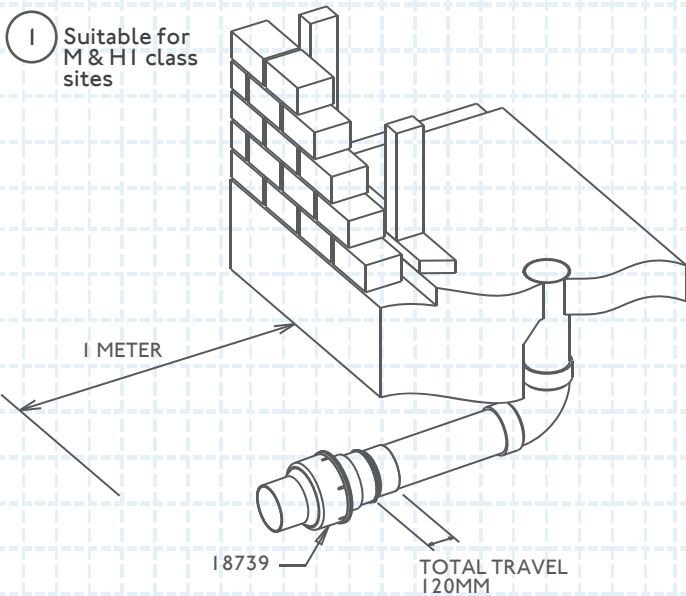


ID	Ø	INLET	OUTLET	MAX EXP	📦
DWV - 100MM (120MM EXPANSION)					
18634	100	Pipe Size	Socket	120	8
18635	100	Pipe Size	Pipe Size	120	8
18739	100	Socket	Socket	120	TBA

Our most recently introduced Combination Joints (18634, 18635 & 18739) allow for 40 degrees inclusive swivel movement and accommodate up to a large 120mm expansion. For installations where a full 120mm expansion is not necessary, we also offer a product range with a smaller expansion of up to 52mm. Other options for DWV and HDPE pipework are also available.

Please contact Plastec for further information on the complete range available.

TYPICAL INSTALLATION (NOTE: VICTORIA CUSTOMERS PLEASE CONTACT PASTEC FOR ALTERNATE INSTALLATION INFORMATION)



SOIL CLASSIFICATIONS

* For E class sites it is recommended to use expansion joints (15130) at all changes of direction.

