



PLASTEC

PRODUCT SPECIFICATIONS

TRAP ACCESSORIES...

WASTE CONNECTOR WITH DISHWASHER INLET



32 - 40mm Adaptor

- Ideal for reducing a trap to suit 32mm basin waste (image of 11795 shown)

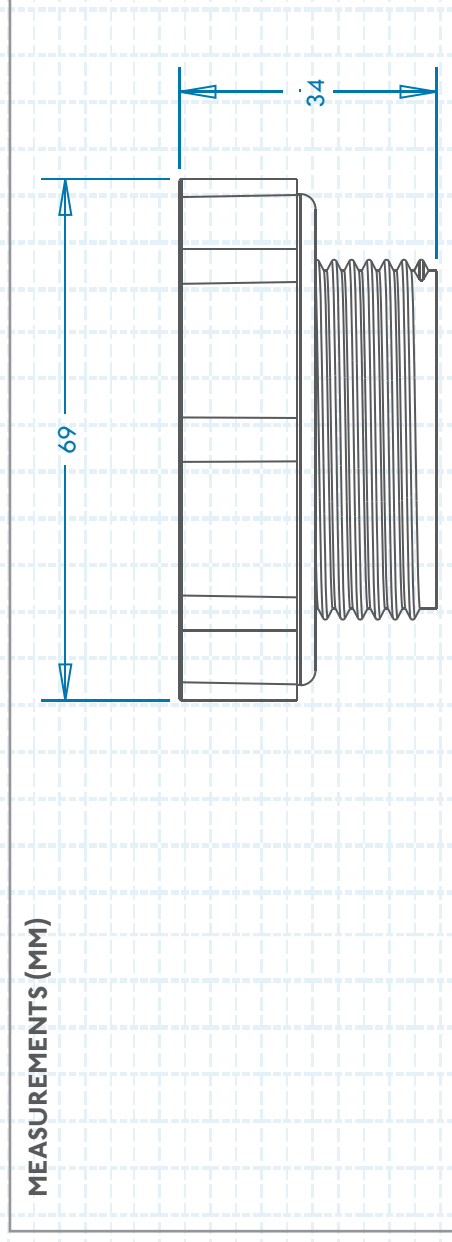
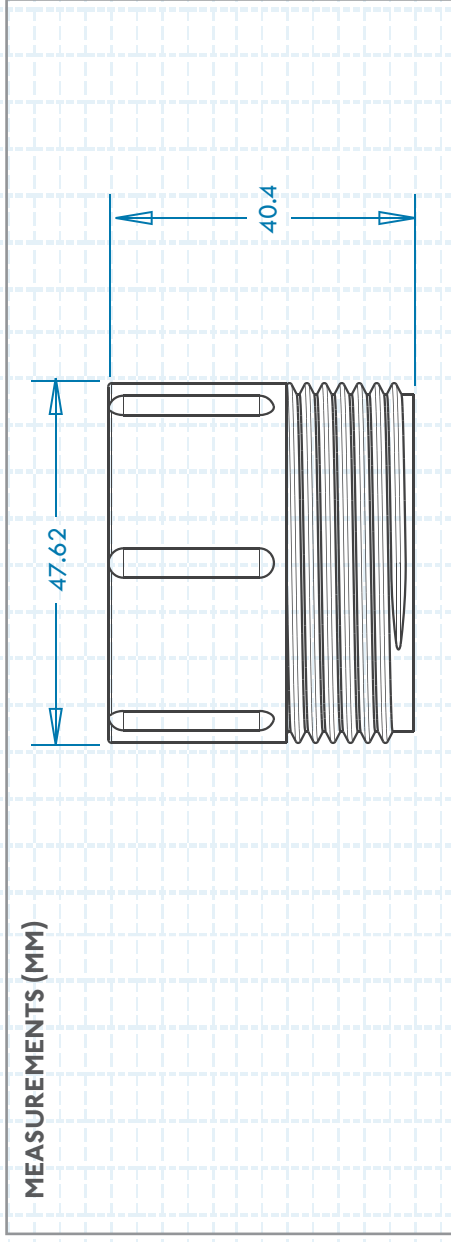
ID		FINISH/COLOUR	CARTON QTY	BAG QTY	MEASUREMENT (MM)
11795		White	50	50	550
18869		Chrome	50	50	550



50 - 40mm Adaptor

- Ideal for reducing a 50mm plug and waste to a 40mm trap

ID		FINISH/COLOUR	CARTON QTY	BAG QTY	MEASUREMENT (MM)
16554		Plastic	40-50	120	120



Watermark AS 2887:1993

PH: 07 5413 4444 WWW.PLASTEC.COM.AU

DETAILS CORRECT AT TIME OF PRINTING (21.04.2017), BUT IS SUBJECT TO CHANGE



DIAMETER



FASTENING



BAG QTY



CARTON QTY



FINISH/COLOUR



MEASUREMENT (MM)