

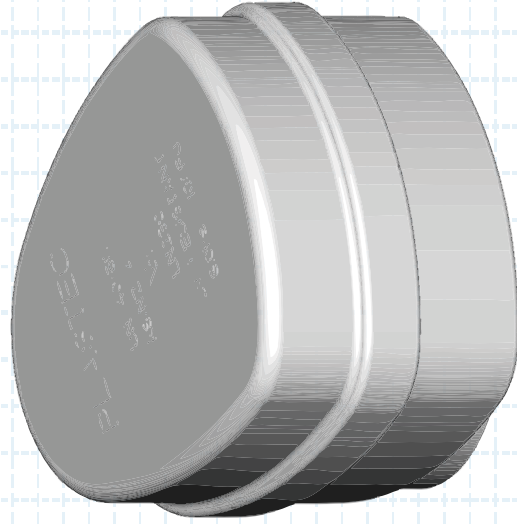


PLASTEC

DRAIN, WASTE & VENT

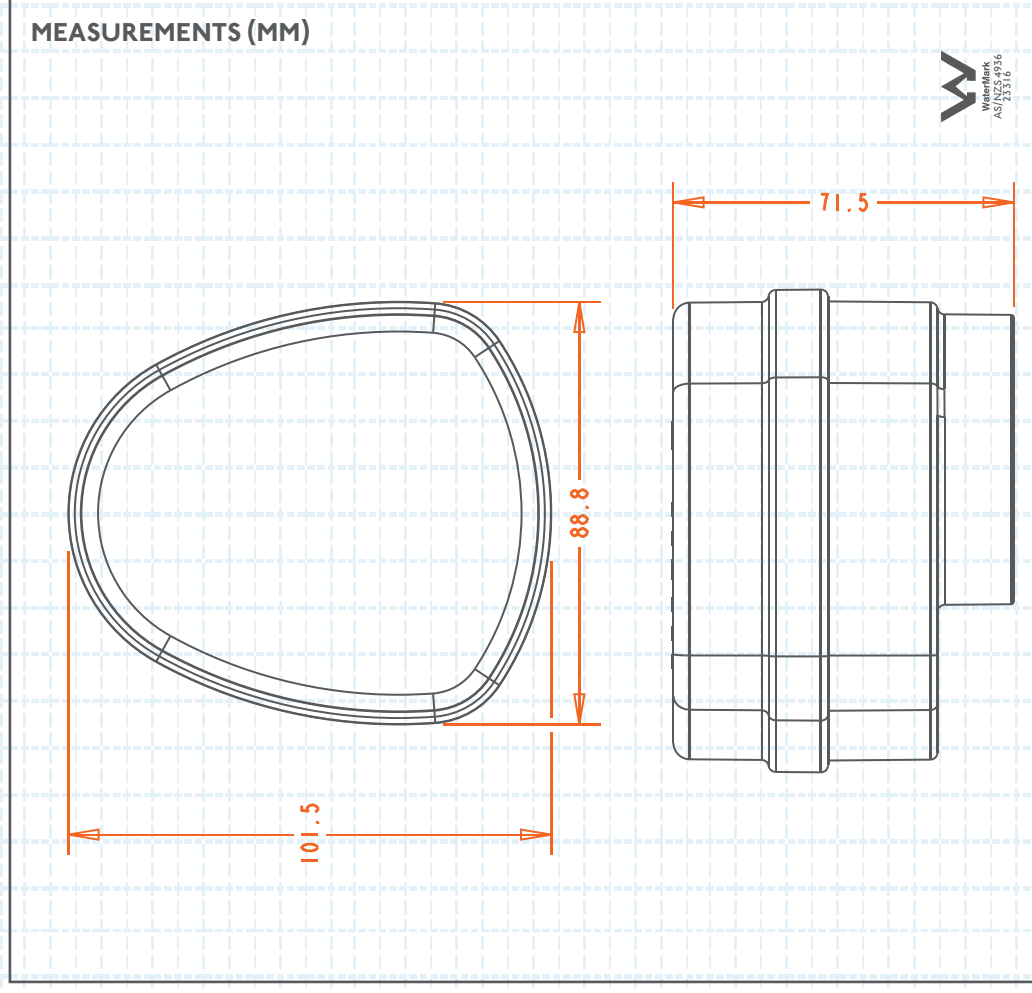
AIR ADMITTANCE VALVE

- Suitable for use with both 40mm and 50mm DWV pipe
- Reduces the risk of siphonage
- Unique wall/corner design
- Helps stop access of vermin and insects
- Airflow capacity rating of 7.1 litres/second at -250 +/-10pa.
- Maximum fixture unit loading - discharge pipes of 85
- Will tolerate temperatures between 0-60°C



ID	DIAMETER	FASTENING	BAG QTY	CARTON QTY	FINISH/COLOUR	MEASUREMENT (MM)
17788	40/50					

PRODUCT SPECIFICATIONS



DIAMETER FASTENING BAG QTY CARTON QTY FINISH/COLOUR MEASUREMENT (MM)

Details correct as at 03.07.17, but are subject to change.