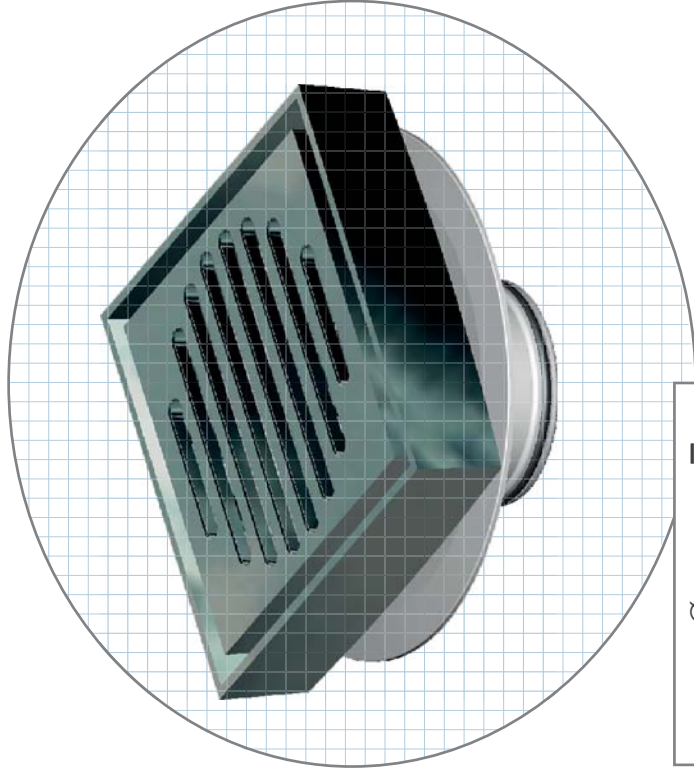


Versa-Tile Floor Waste

Rubber Ring Joint with Insert-Grate

- No solvent welding required.



ID	Ø (MM)	Insert
18943	50	TBA
18937	80	TBA
18911	100	TBA



Related Products:

- Solvent Weld versions available.
- Insert Plate and Insert Tile options also available.

