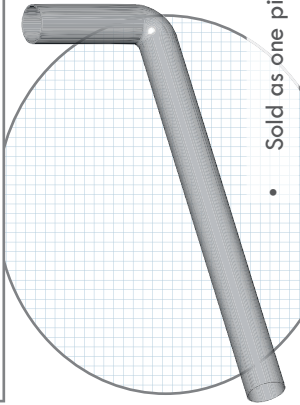


Flush Pipes

Pan Connector Accessories

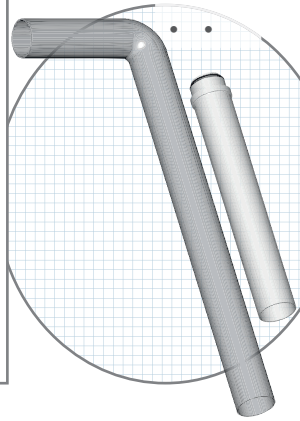


ID	(MM)	SUIT	Material
14836	50	Polypropylene	50



• Sold as one piece.

ID	Ø(MM)	SUIT	Material
14837	50	Polypropylene	18



ID	Ø(MM)	SUIT	Material
14842	50	Polypropylene	18

Suitable for disabled toilet installations.
Flush Pipe Extension supplied (ID 16868) but can also be purchased separately.

