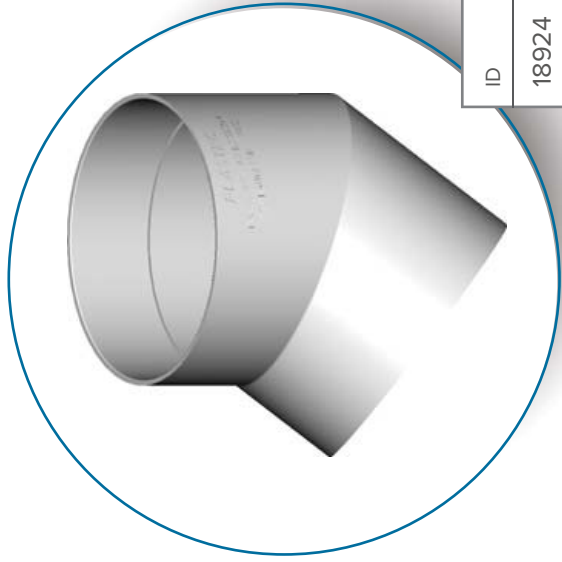




Round Bend F/F 45°

Stormwater Downpipe Fittings



ID	Ø
18924	90
19503	100

Related Products: Round Bends F/F 85°, Rectangular Bends 45° & 85° also available - see website for more details
www.plastec.com.au

