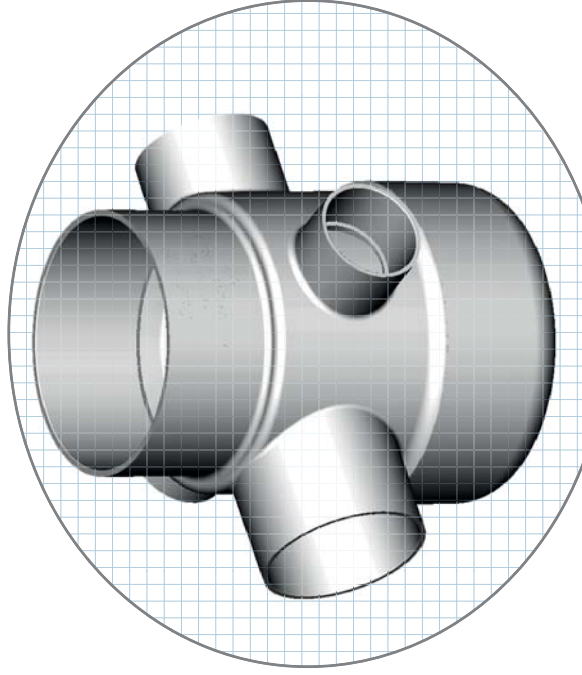


# Floor Waste Gully

## Drain Waste Vent



- Compact design.
- Removable trap for clear and easy access to drain.
- Kits with flange and grate also available for purchase.



ID	OUTLET (MM)	BRANCH (MM)	■
19066	50	40 x 50 x 40	1
19065	65	40 x 50 x 40	1

**WaterMark AS2887 239**

Related Products: • Kits in 50mm & 65mm versions available.  
 • All kits come with 50mm or 65mm Gully plus flange and choice of round, square, file insert, grate insert or plate insert grate.

