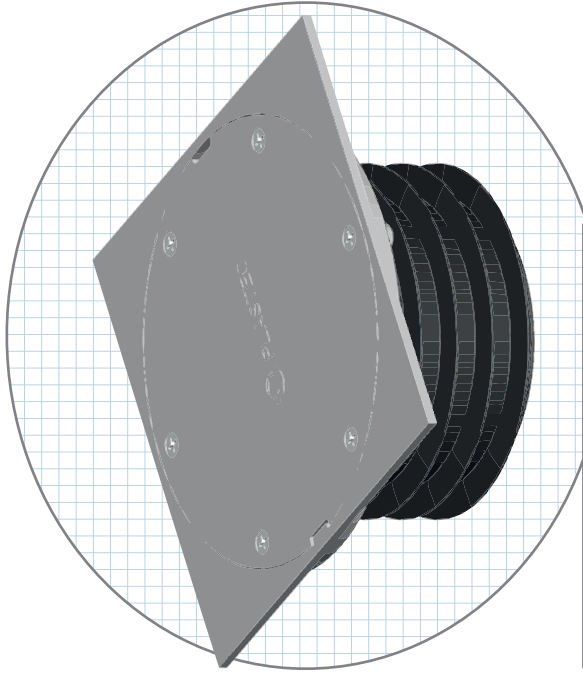


Bolted Trap Screw

Flexi Fin - Plastic Lid - Square

- No solvent welding required.
- Remove fin for solvent welding into 90mm pipe.
- Quick and easy installation.
- Six screw fixing system.



ID	Ø	Material	Accessories
19110	100/90	Plastic	TBA



Related Products: • HDPE version also available. • Lid can also be purchased separately.

