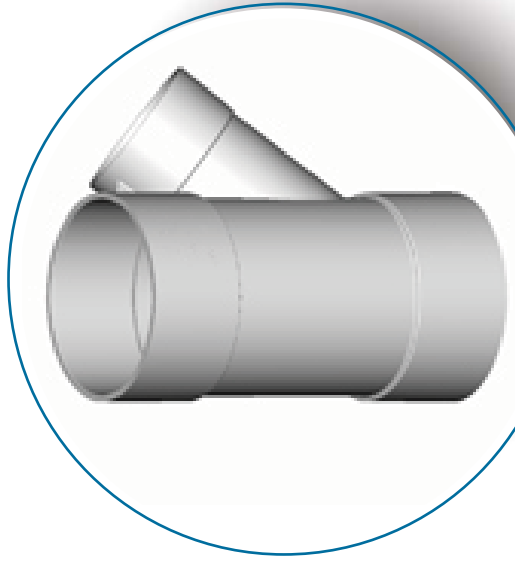


Product Specifications

DWV CivilTec Super Heavy Duty 45° Reducing Junctions

Solvent Weld - Female/Female

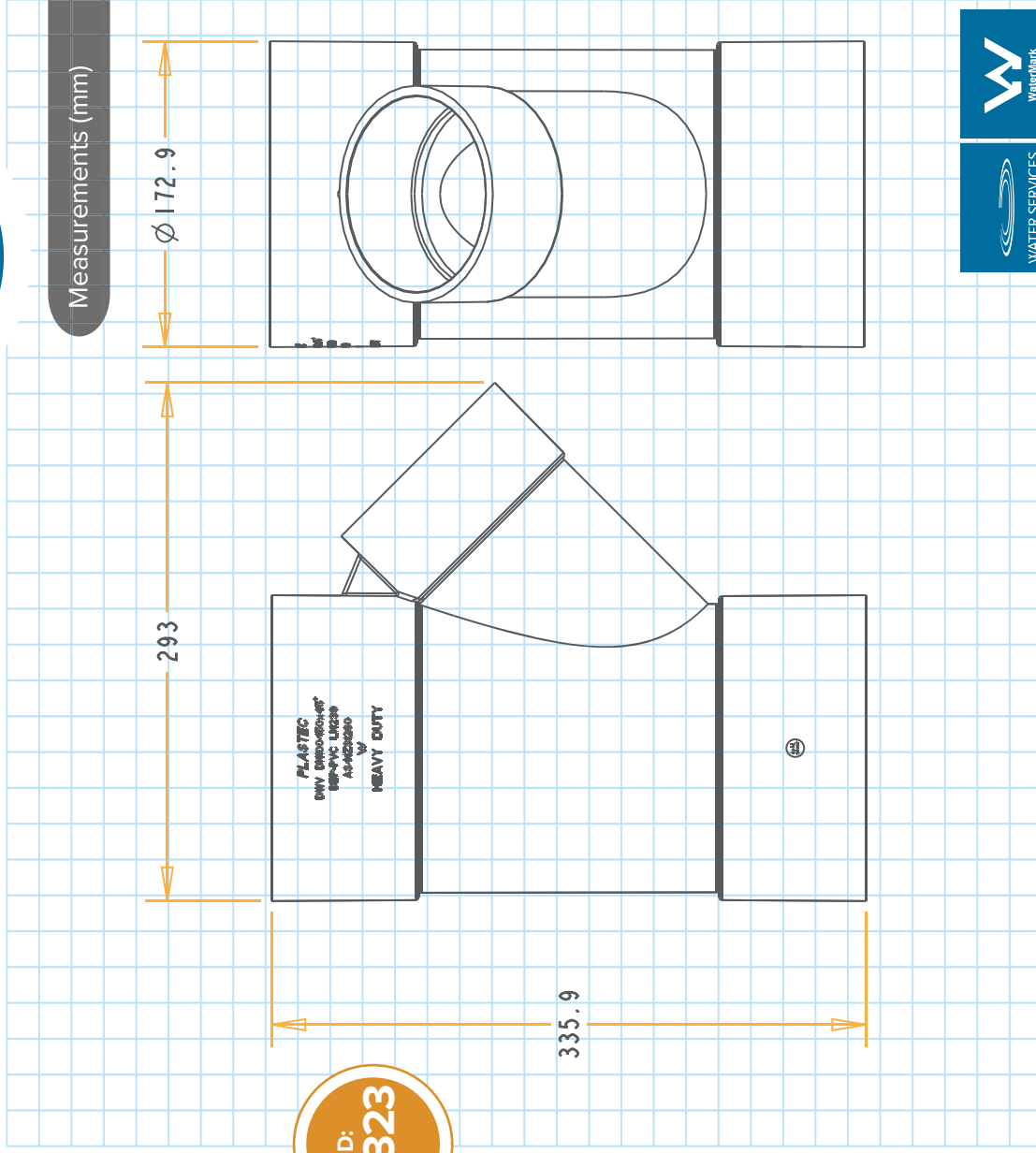
- Increased wall thickness for additional support.
- Suitable for use in reactive soils.



ID	Ø	WALL THICKNESS
19323	150 x 100	6

Related Products: Rubber ring versions and 45 degree options also available. CivilTec Super Heavy Duty range also includes other fittings, visit www.plastec.com.au for details.

ID:
19323



PLASTEC



WATER SERVICES
ASSOCIATION OF AUSTRALIA
PA1404



WaterMark
AS/NZS 1260
239