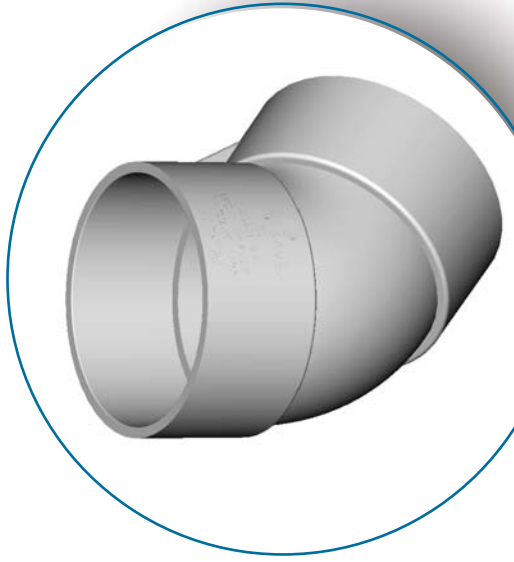


Product Specifications

DWV CivilTec Super Heavy Duty 45° Bends Solvent Weld Female/Female

- Increased wall thickness for additional support.
- Suitable for use in reactive soils.



ID	Ø	WALL THICKNESS
19334	100	5
19331	150	6

Related Products: Rubber ring joint versions also available. Bends of other degrees also available. CivilTec Super Heavy Duty range also includes other fittings, visit www.plastec.com.au for details.

