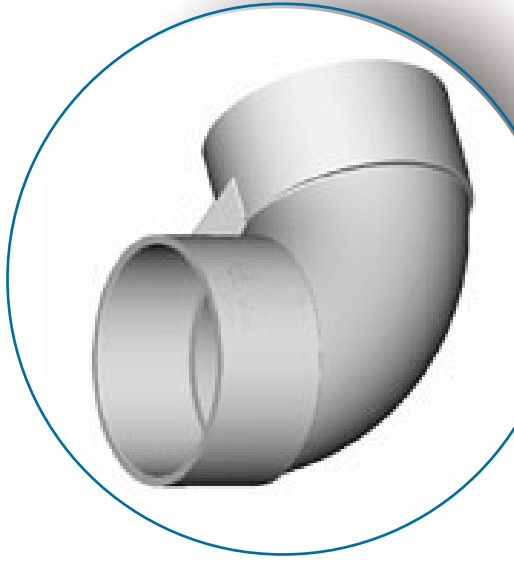


Product Specifications

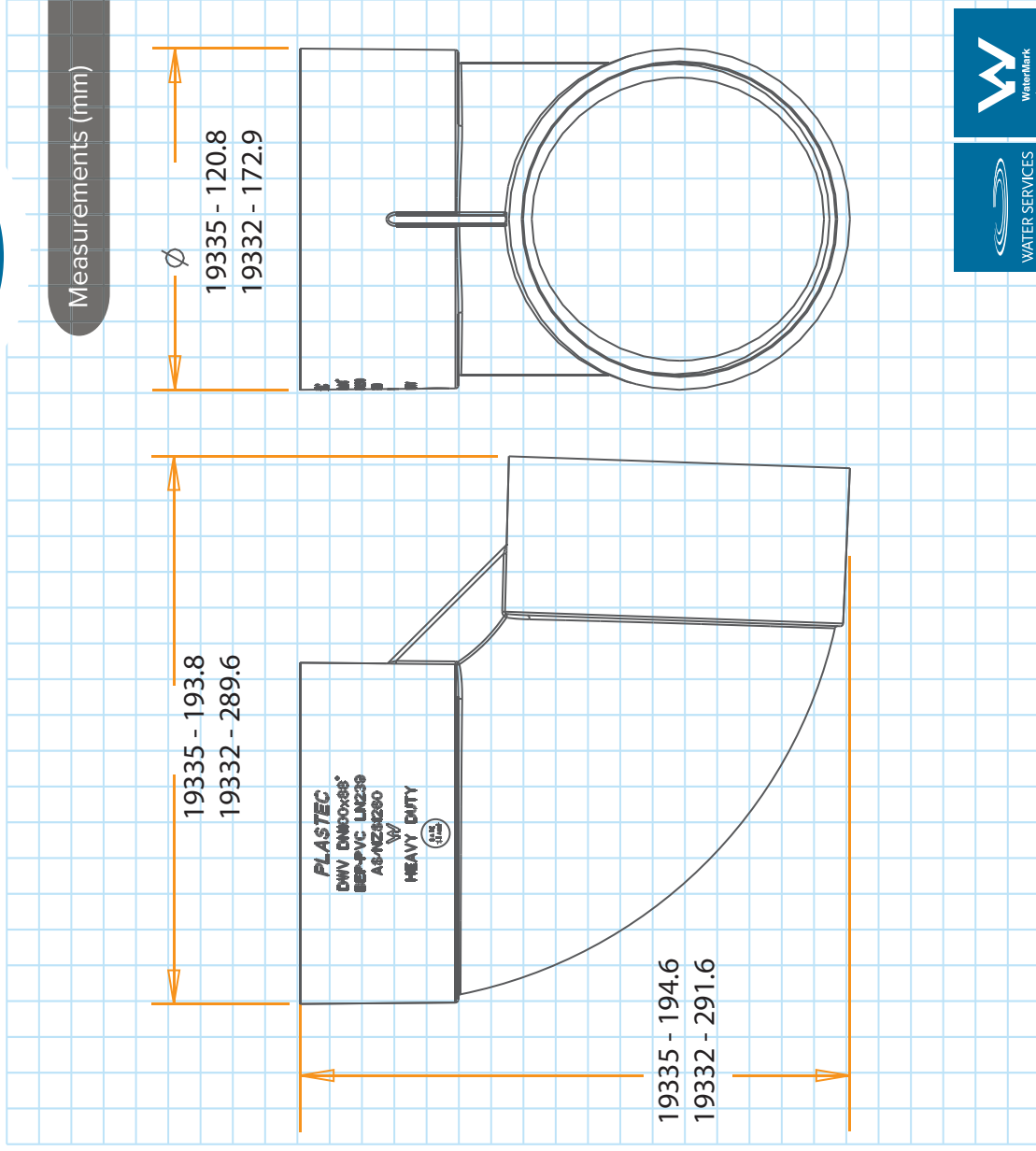
DWV CivilTec Super Heavy Duty 88° Bends Solvent Weld Female/Female

- Increased wall thickness for additional support.
- Suitable for use in reactive soils.



ID	Ø	WALL THICKNESS
19335	100	5
19332	150	6

Related Products: Rubber ring joint versions also available. Bends of other degrees also available. CivilTec Super Heavy Duty range also includes other fittings, visit www.plastec.com.au for details.



PLASTEC



WATER SERVICES
ASSOCIATION OF AUSTRALIA
PA1 404



WaterMark
AS/NZS1260
239