



PLASTEC

INNOVATIVE PLUMBING SOLUTIONS

WWW.PLASTEC.COM.AU

LIKE US ON FACEBOOK



NEW ADDITIONS
TO PLASTEC

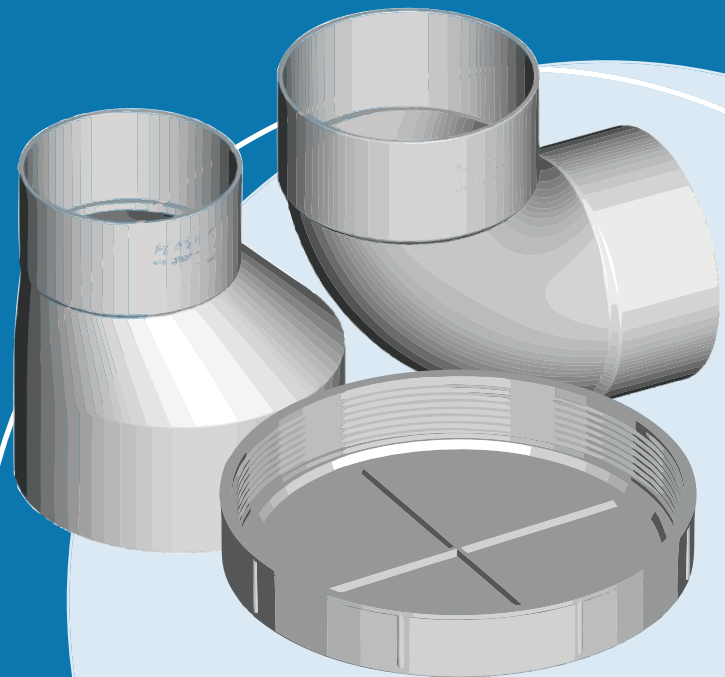
FOR ALL YOUR COMMERCIAL NEEDS

225MM DWV RANGE

Now offering an **extended** range of 225mm DWV fittings to meet your commercial installation needs

Our range includes:

- 88 Degree Swept Bend.
- 5, 15 & 45 Degree Bends.
- Threaded & Heavy Duty Caps.
- 45 & 88 Degree Junctions.
- Reducing Junctions in both 45 & 88 Degrees.
- Level Invert Tapers.
- Bolted Trap Screw.
- Threaded & Straight Couplings.
- Pipe & Socket Reducers.
- Inspection Opening (IO), both standard and stubby.



WaterMark

AS/NZS 1260
AS2887
239

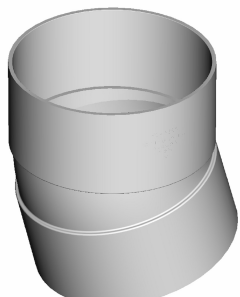
Products correct at at 29/04/2020, subject to change at anytime

225MM PRODUCT RANGE BENDS

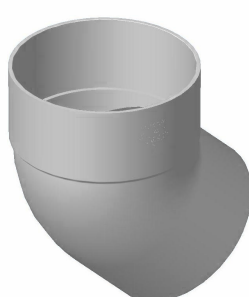
5 Degrees Bend
ID: 19048



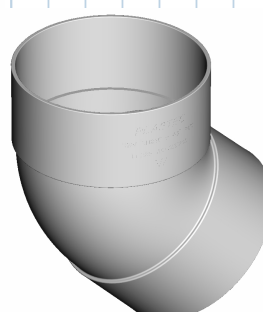
15 Degrees Bend
ID: 19047



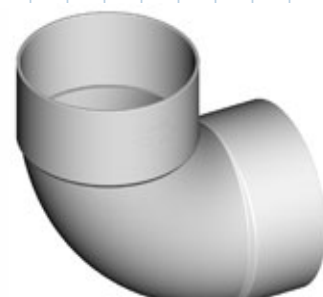
45 Degrees Bend
M&F ID: 19631



45 Degrees Bend
ID: 17281

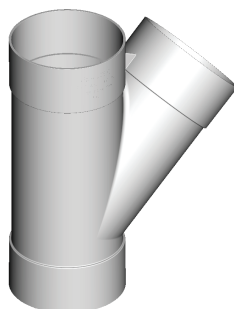


88 Degrees Bend
ID: 17278

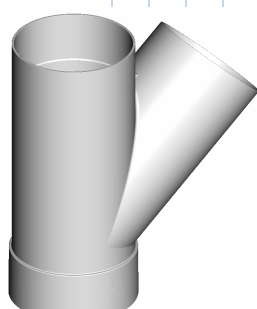


JUNCTIONS 45 DEGREES

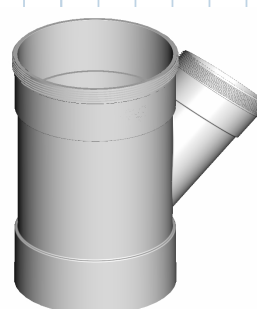
45 Degrees F&F
ID: 17294



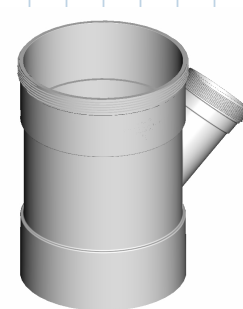
45 Degrees MM&F
ID: 18848



45 Degrees 225x150
ID: 19055



45 Degrees 225x100
ID: 19056

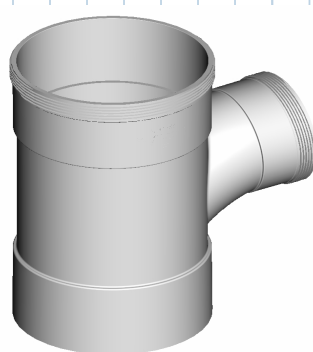


JUNCTIONS 88 DEGREES

88 Degrees F&F
ID: 17300



88 Degrees 225x150
ID: 19057

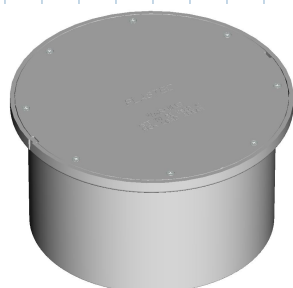


88 Degrees 225x100
ID: 19058



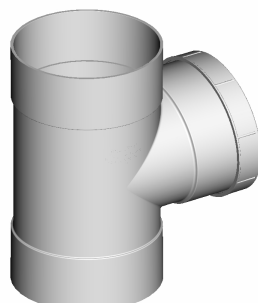
BOLTED TRAP SCREWS

Bolted Trap Screw 225mm
ID: 18111

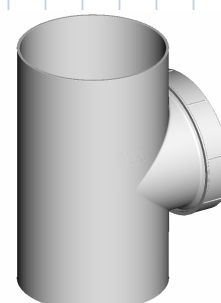


INSPECTION OPENINGS

IO Pipe F&F 225mm
ID: 19043



IO Pipe HEAVY DUTY(STUBBY)
ID: 18841



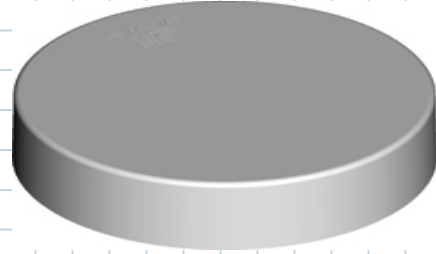
225MM PRODUCT RANGE

CAPS

DWV Threaded Screw on Cap (Socket)
ID: 18071



DWV Heavy Duty End Cap 225mm
ID: 14982



LEVEL INVERT TAPERS

DWV Level Invert Taper 225x150
ID: 17307

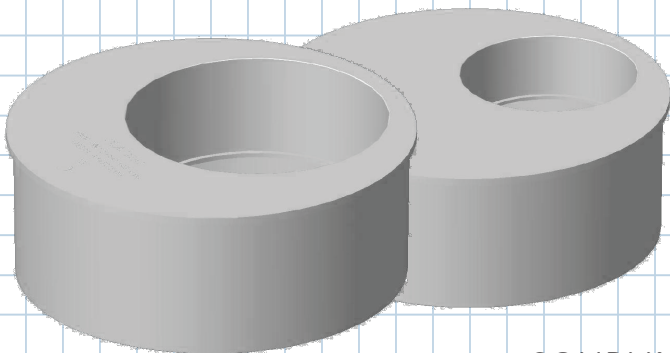


DWV Level Invert Taper 225x100
ID: 19046

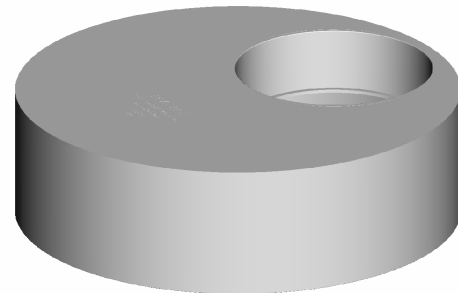


REDUCERS

DWV Pipe Reducers 225mm
ID: 19519 - 225x100
ID: 19520 - 225x150

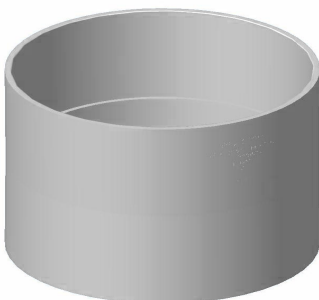


DWV Socket Reducers 225mm
ID: 19054 - 225x100
ID: 19053 - 225x150



COUPLINGS (SOCKET)

DWV Straight Coupling
ID: 19602



DWV Threaded Coupling
ID: 18156



DWV Threaded Cap & Coupling
ID: 18738

