

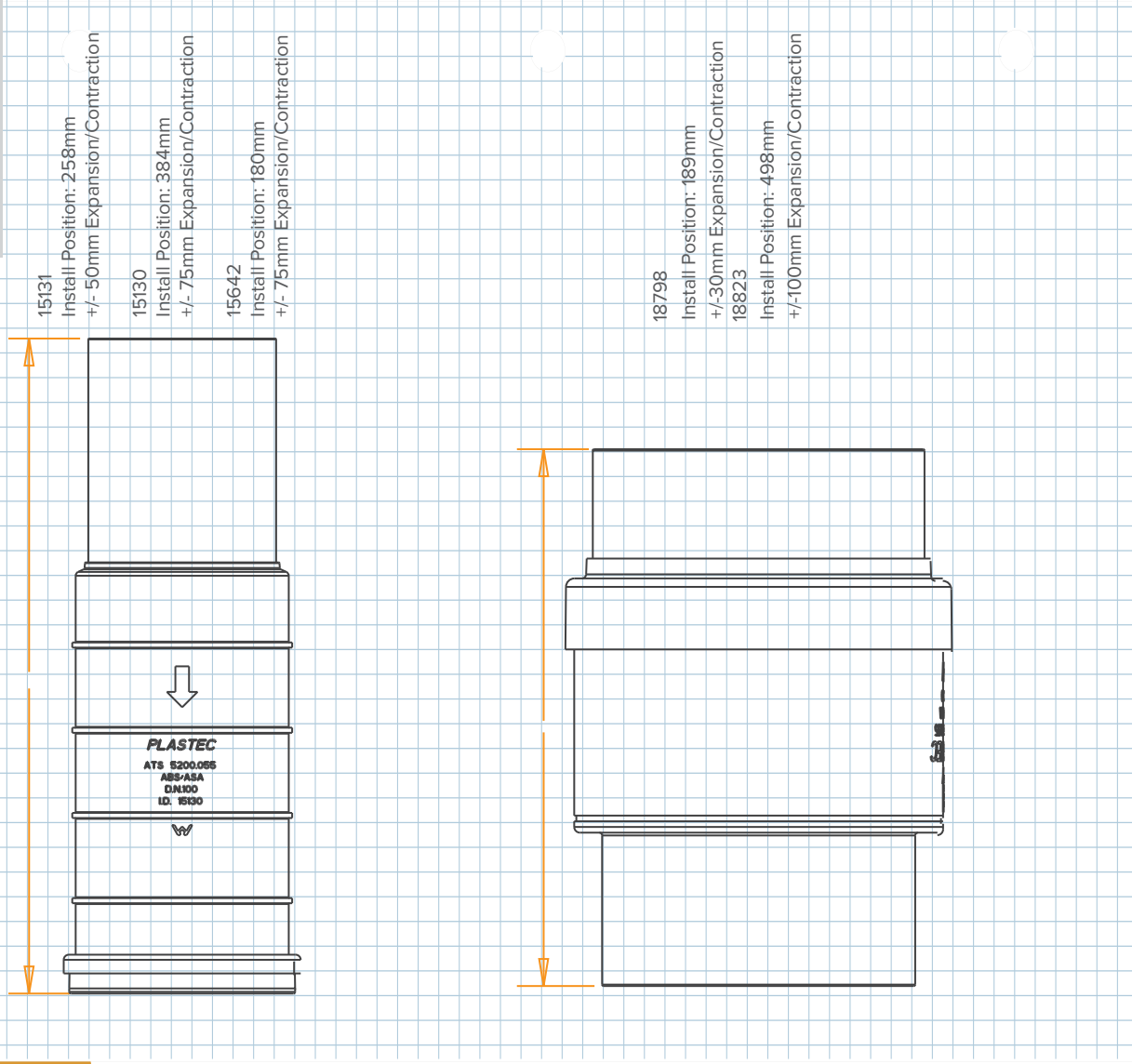
DWW Expander Joints

with 60mm, 100mm, 150mm & 200mm Expansion

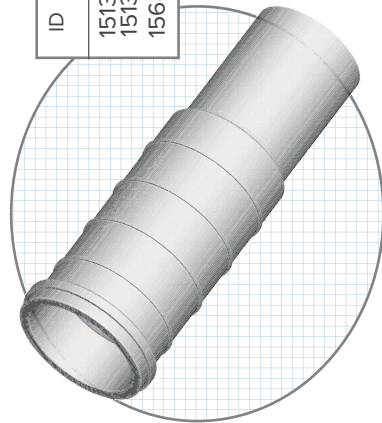
ATS5200



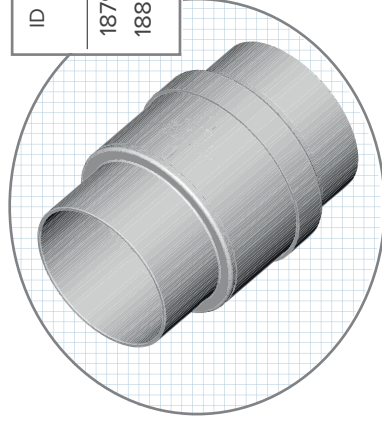
Measurements (mm)



- Ideal for pipe repair work.
- Complete with internal stop.
- Used in conjunction with Swivel Joint for reactive soils.
- Water tight seal.



ID	Ø	INLET	OUTLET	MAX EXPAN.
15131	90	Pipe Size	Socket	100
15130	100	Pipe Size	Socket	150
15642	150	Pipe Size	Socket	200



ID	Ø	INLET	OUTLET	MAX EXPAN.
18798	100	Socket	Socket	60
18823	225	Pipe Size	Socket	200