


DWV FITTINGS

BENDS - FF - 5 DEGREES

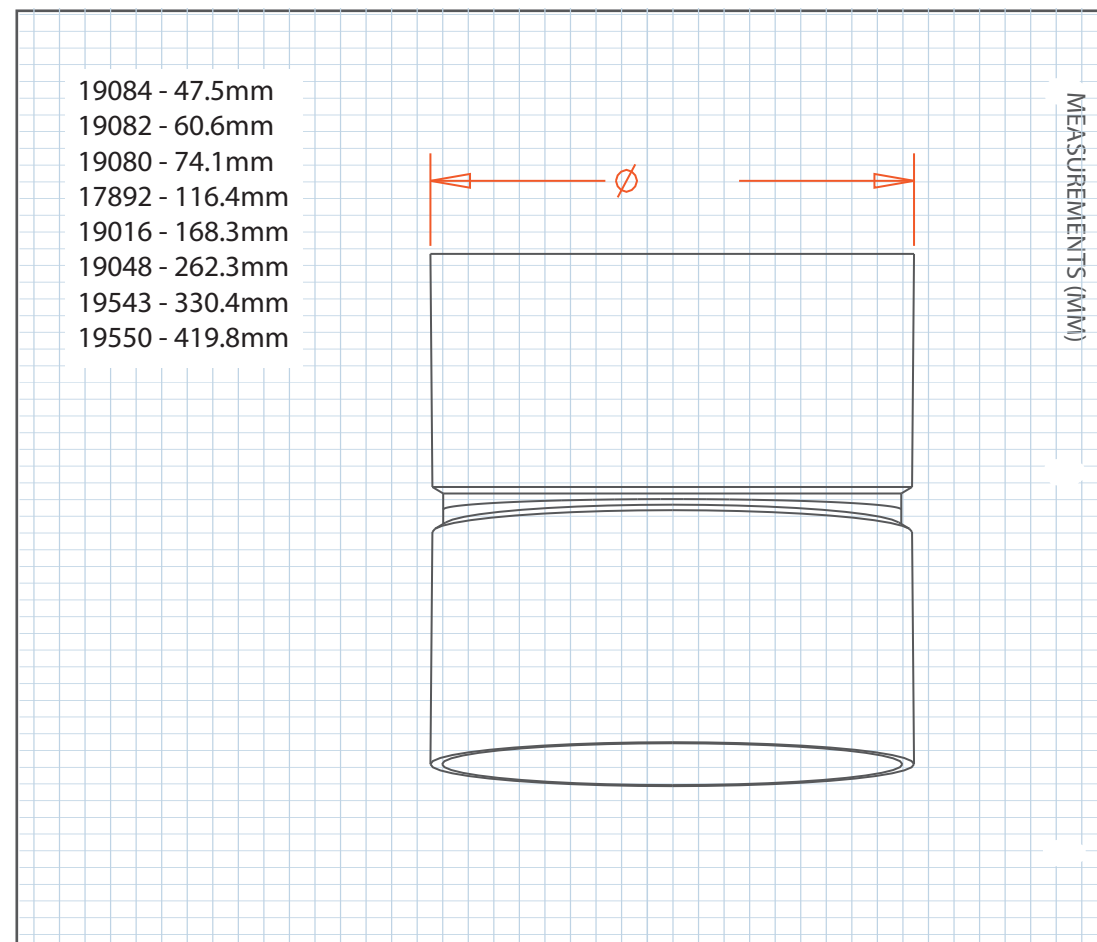


ID	INLET	OUTLET	
19084	40 Socket	40 Socket	170
19082	50 Socket	50 Socket	100
19080	65 Socket	65 Socket	110
17892	100 Socket	100 Socket	36
19016	150 Socket	150 Socket	18
19048	225 Socket	225 Socket	1
19543	300 Socket	300 Socket	1
19550	375 Socket	375 Socket	1

Related Products:

- 15, 30, 45 & 88 Degree options also available.
- Male/Female options also available.

PRODUCT SPECIFICATIONS



 DIAMETER
  FASTENING
  BAG QTY
  CARTON QTY
  FINISH/COLOUR
  MEASUREMENT (MM)

Details are correct as at 15/06/2020, but are subject to change. without notice

07 5413 4444 - WWW.PLASTEC.COM.AU