



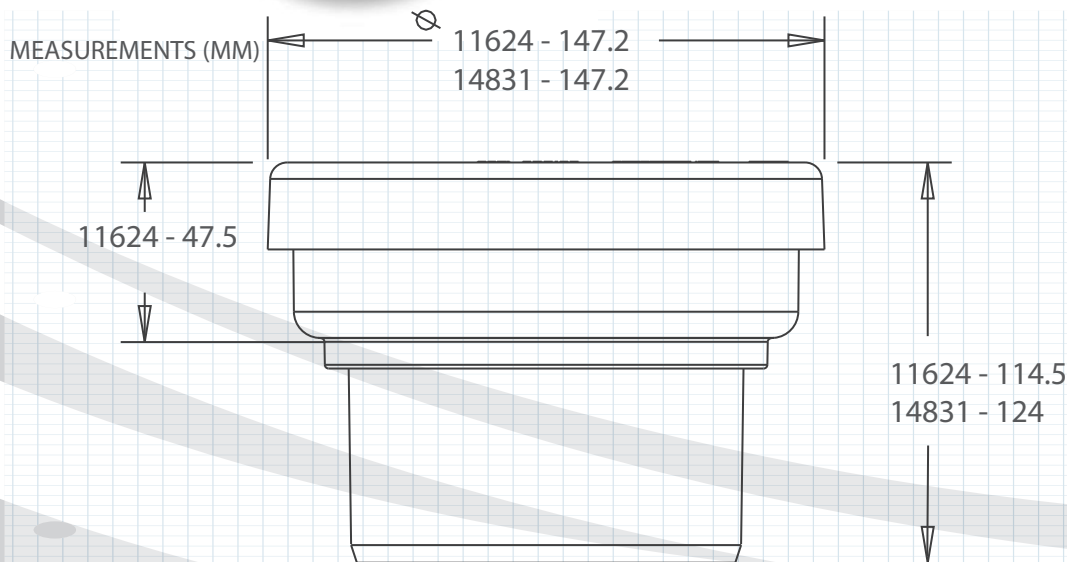
# PAN CONNECTORS

## OMM OFFSET - LONG SPIGOT - SOLVENT WELD

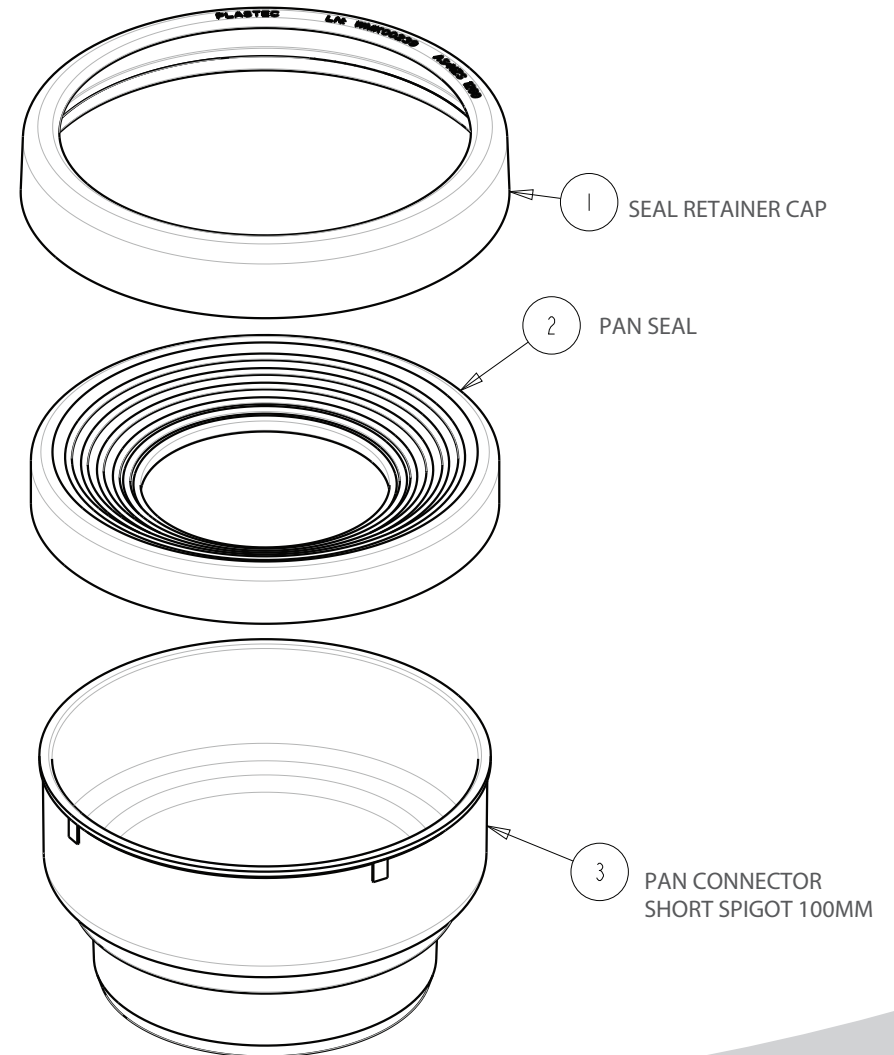
- Solvent weld into 100mm DWV pipe (ID 11624).
- Solvent weld into 80mm DWV pipe (ID 14831).
- Ensure that the outlet of the WC doesn't come in contact with the base of the Pan Connector body.



ID	 mm	
11624	100	48
14831	80	40



# PRODUCT SPECIFICATIONS



NOTE: Plastec does not recommend the installation of Offset Pan Connectors to P trap installations and such use will void warranty.