



PLASTEC

PRODUCT SPECIFICATIONS

PAN CONNECTORS - FLEXI FIN

20MM OFFSET - LOW RISE

NOTE: PLASTEC DOES NOT RECOMMEND THE INSTALLATION OF THE FOLLOWING OFFSET PAN CONNECTORS TO P TRAP INSTALLATIONS AND SUCH USE WILL VOID WARRANTY.

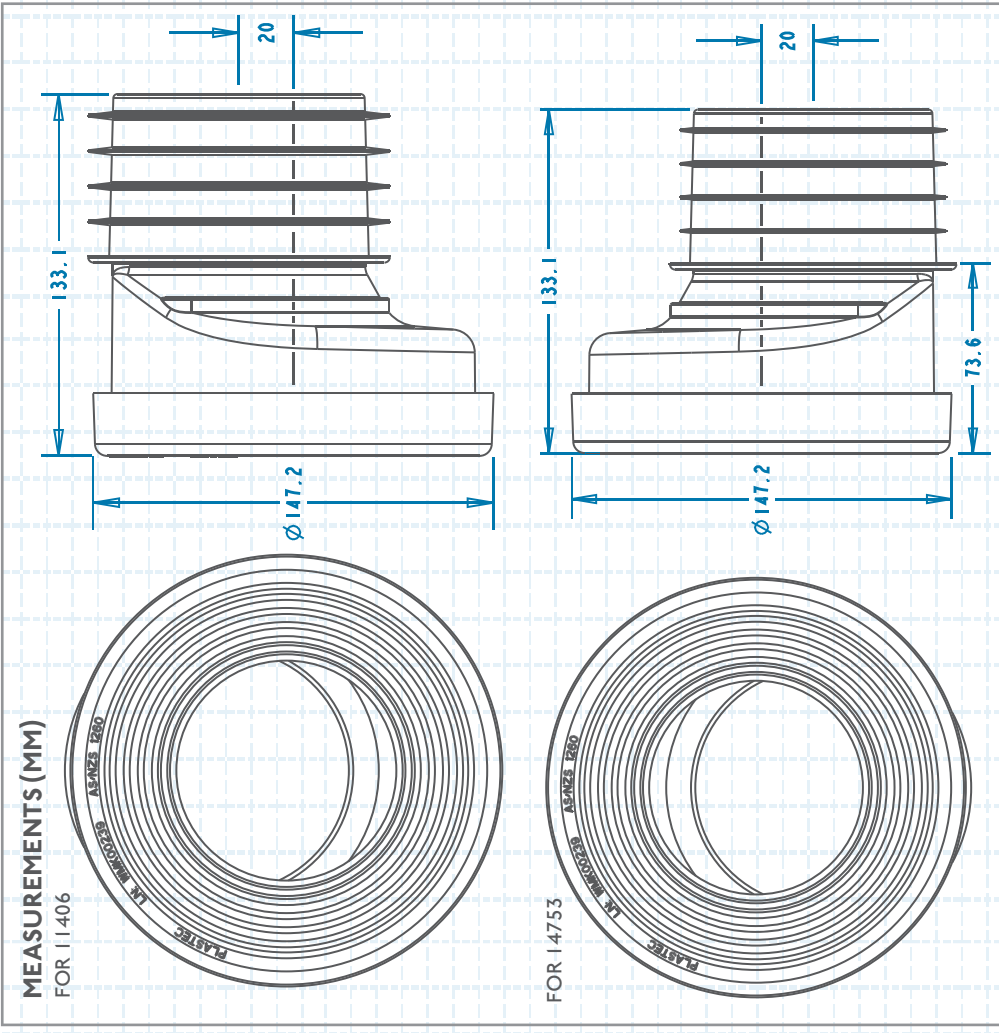
- Adjustable height
- No need to solvent weld, push into pipe
- DWV and HDPE options available
- When installing, ensure that the outlet of the WC doesn't come in contact with the base of the Pan Connector body
- HDPE version (ID 14753) suitable for use with Earthenware pipe



ID	11406	100	DWV	41
		SUITABLE		



ID	14753	110	HDPE	41
		SUITABLE		



WaterMark
AS 2887 / 239

PH: 07 5413 4444

WWW.PLASTEC.COM.AU

DETAILS CORRECT AT TIME OF PRINTING (05.11.2015), BUT IS SUBJECT TO CHANGE