



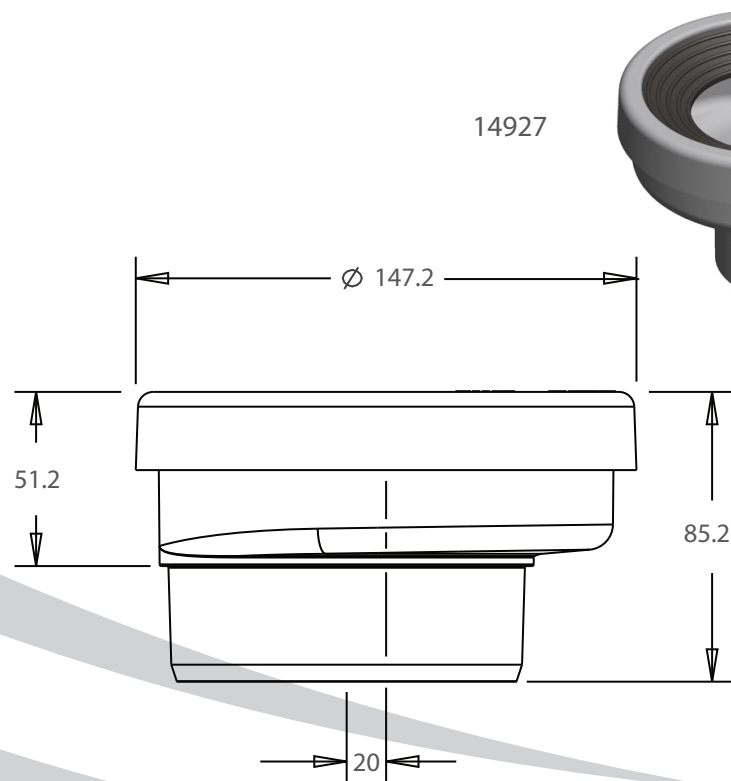
PAN CONNECTORS

20MM OFFSET - LOW RISE - SHORT/LONG SPIGOT - SOLVENT WELD

- Solvent weld into 100mm DWV pipe
- Install as per 3500.2
- Low rise reduces the risk of siphonage and may need to be recessed into the floor
- Do not install offset pan connectors on P Trap toilets, doing so will void the warranty
- Ensure the outlet of the WC does not come into contact with the base of the pan connector body
- Standard Plastec warranty applies

PRODUCT SPECIFICATIONS

ID	 mm	
11620	100	33
14927	100	50



MEASUREMENTS

