



PLASTEC



PRODUCT SPECIFICATIONS

TRAP ACCESSORIES... WASTE CONNECTOR WITH DISHWASHER INLET



32 - 40mm Adaptor



- Ideal for reducing a trap to suit 32mm basin waste

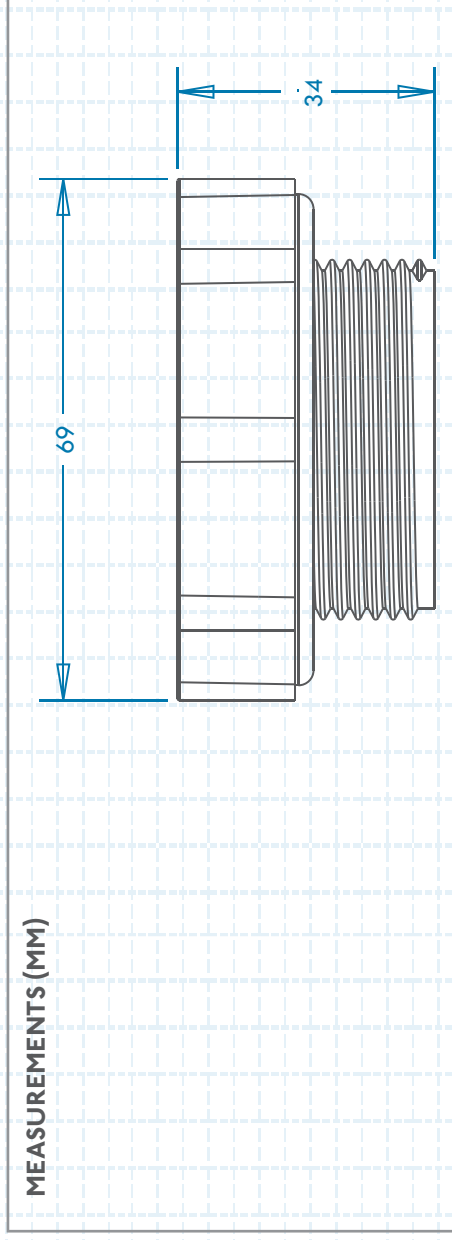
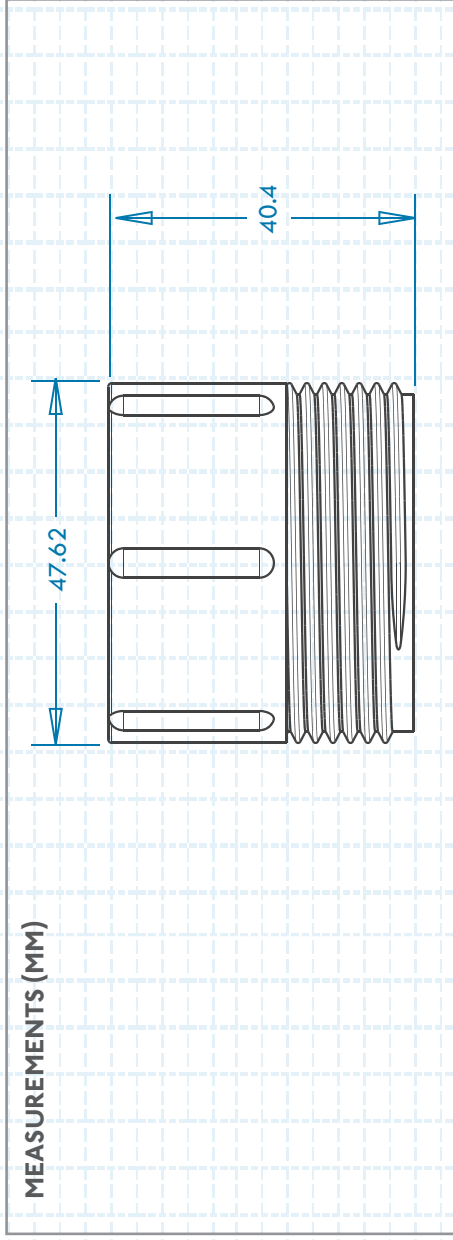
ID	 (NUT)	
11795	32-40 Plastic	White 50
18869	32-40 Plastic	Chrome 50



50 - 40mm Adaptor

- Ideal for reducing a 50mm plug and waste to a 40mm trap

ID	 (NUT)	
16554	40-50 Plastic	120



Watermark
AS 2887:1993

PH: 07 5413 4444 WWW.PLASTEC.COM.AU

DETAILS CORRECT AT TIME OF PRINTING (21.04.2017), BUT IS SUBJECT TO CHANGE

