



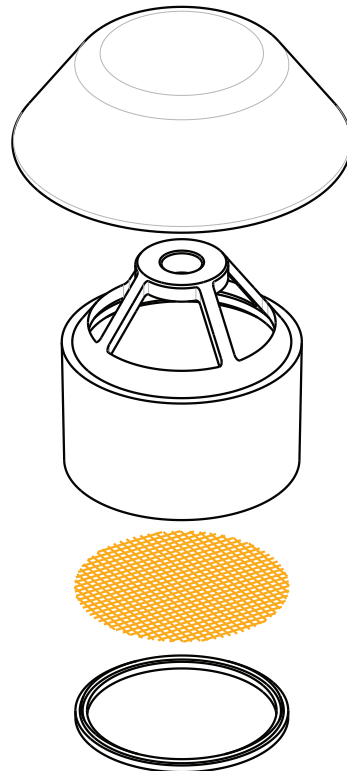
Covered Vent Cowl

Drain Waste Vent (DWV) Fittings

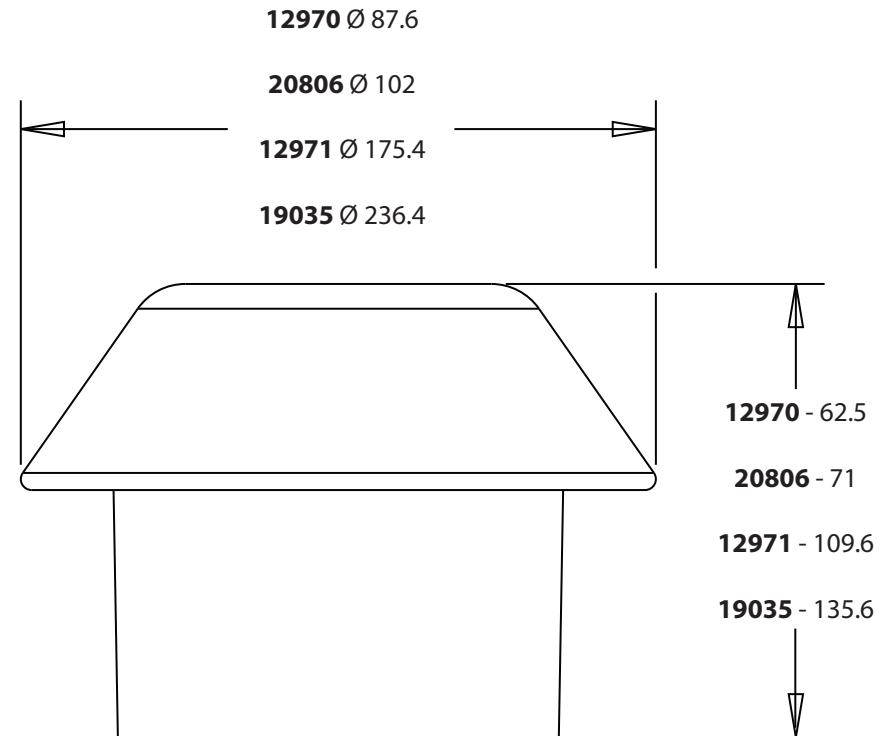
- Stainless steel mesh - Mozzie resistant
- Prevents rainwater entry to drainage system



ID:
12970
20806
12971
19035



Measurements (mm)



ID	SUIT	TYPE	CTN QTY
12970	50 DWV	Covered	86
20806	65 DWV	Covered	50
12971	100 DWV	Covered	22
19035	150 DWV	Covered	10

07 5413 4444 - www.plastec.com.au

Specifications are correct as at 13/04/2023, but are subject to change at any time without notice.

