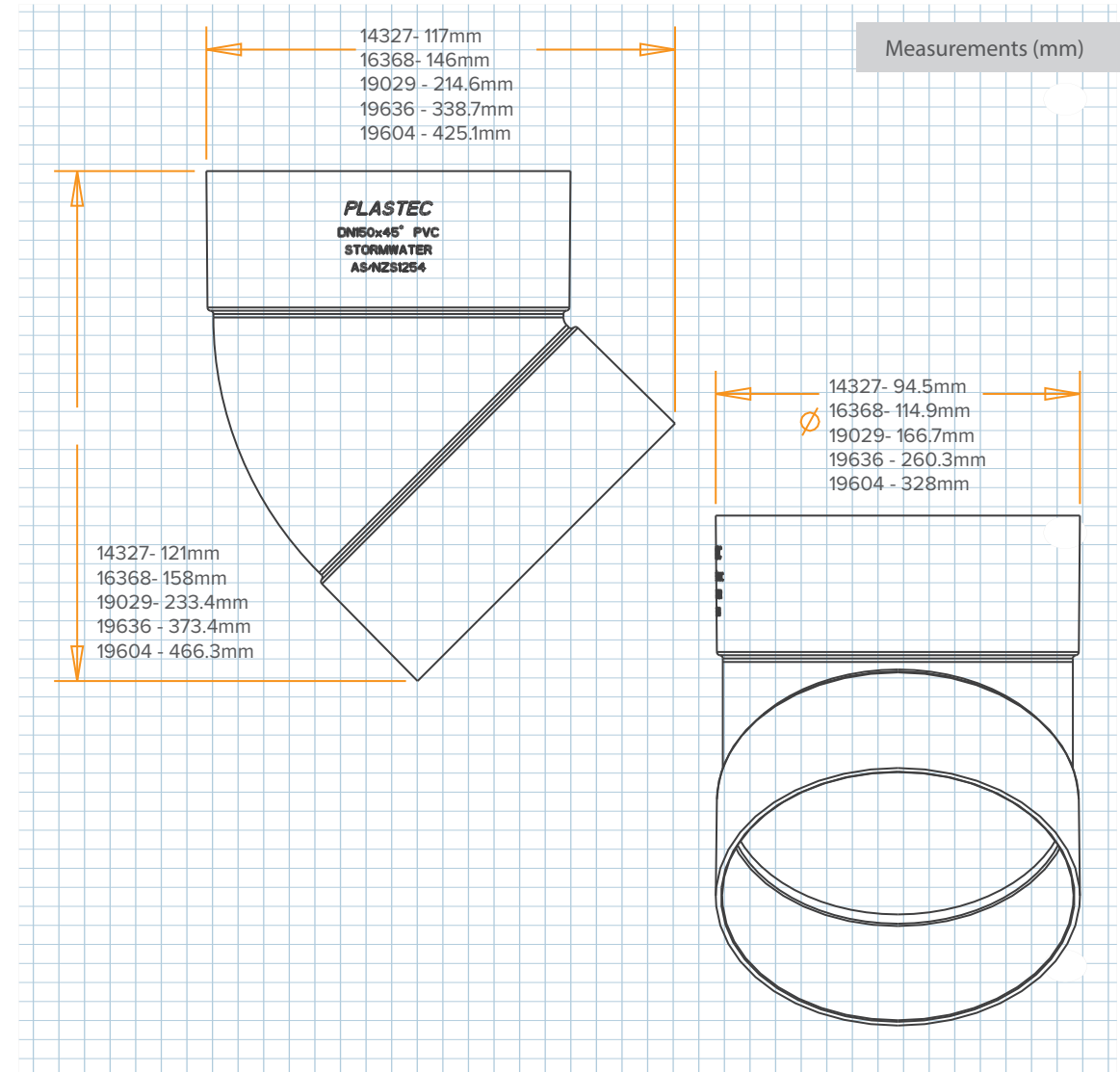
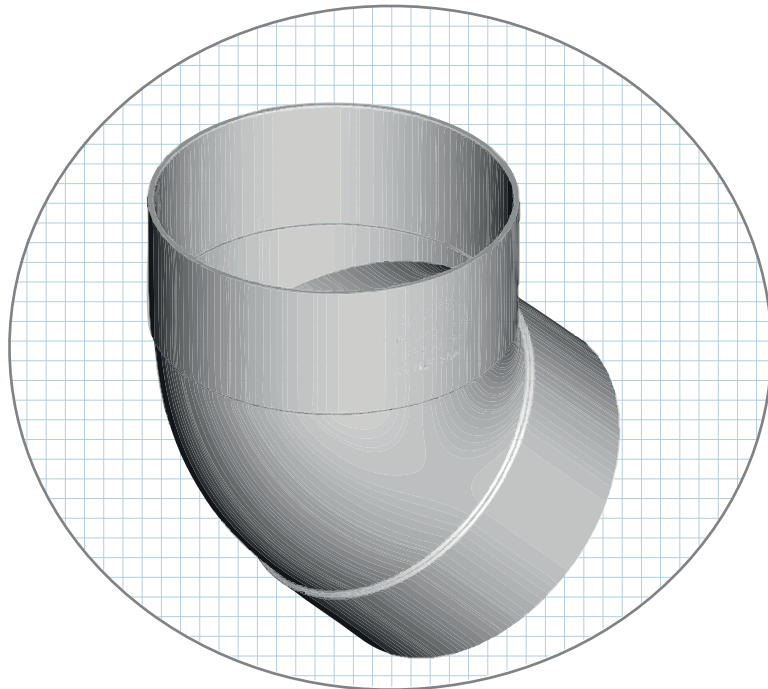


# Stormwater Bend

Socket to Socket - Female/Female - 45°



## PRODUCT SPECIFICATIONS



ID	INLET (MM)	OUTLET (MM)	⊥	📦
14327	90 Socket	90 Socket	45	70
16368	100 Socket	100 Socket	45	30
19029	150 Socket	150 Socket	45	8
19636	225 Socket	225 Socket	45	2
19604	300 Socket	300 Socket	45	1

Related Products: • 5°, 15°, 30° and 88° versions also available.  
• DWV bends also available.

07 5413 4444 - [www.plastec.com.au](http://www.plastec.com.au)

Specifications as at 05/01/2021, but are subject to change at any time without notice.