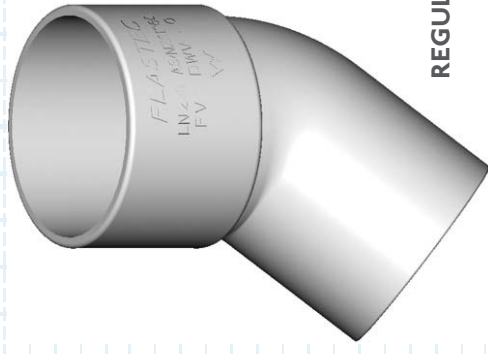


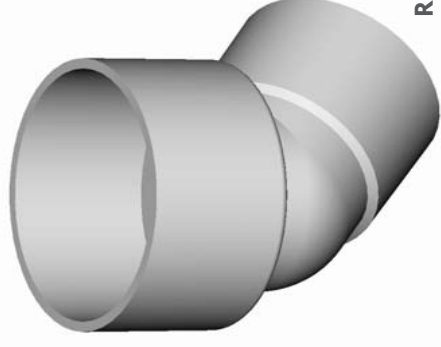
DRAIN WASTE & VENT (DWV) BENDS - MALE/FEMALE 45°

Features/Notes:

- Outlet of elbow glues into socket fitting



REGULAR



REDUCING

ID	INLET	OUTLET	MEASUREMENT (MM)
16377	40 Socket	40 Pipe Size	15
16378	50 Socket	50 Pipe Size	10
17898	65 Socket	65 Pipe Size	48
18215	100 Socket	100 Pipe Size	28

ID	INLET	OUTLET	MEASUREMENT (MM)
17897	50 Socket	40 Pipe Size	130

Related Products:

- Large range of DWV Bends available including various degrees, heavy duty, as well as female/female, male/female options.

