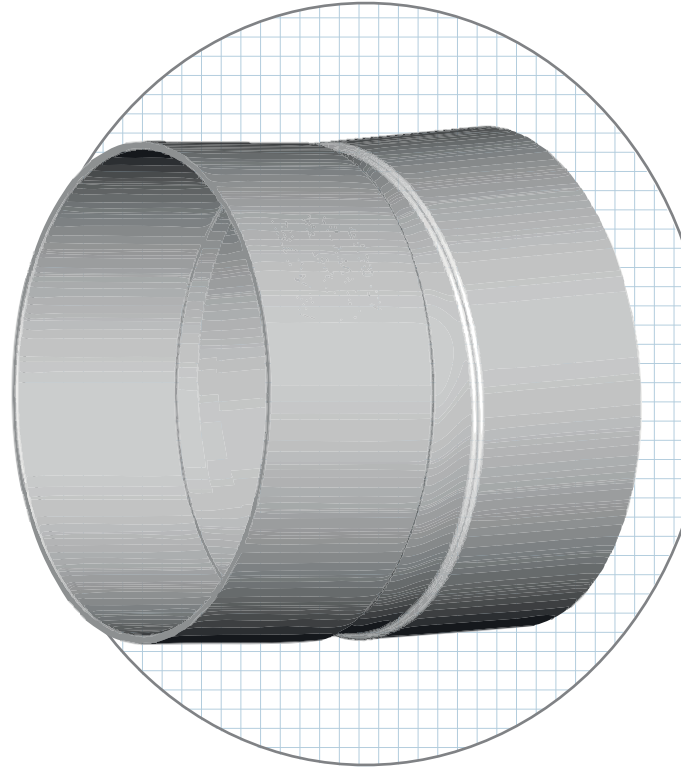


Stormwater Bend

Socket to Socket - Female/Female - 5°



ID	INLET (MM)	OUTLET (MM)		
19032	150 Socket	150 Socket	5	18

Related Products: • 1.5°, 30°, 45° and 85° versions also available.
• DWV bends also available.

