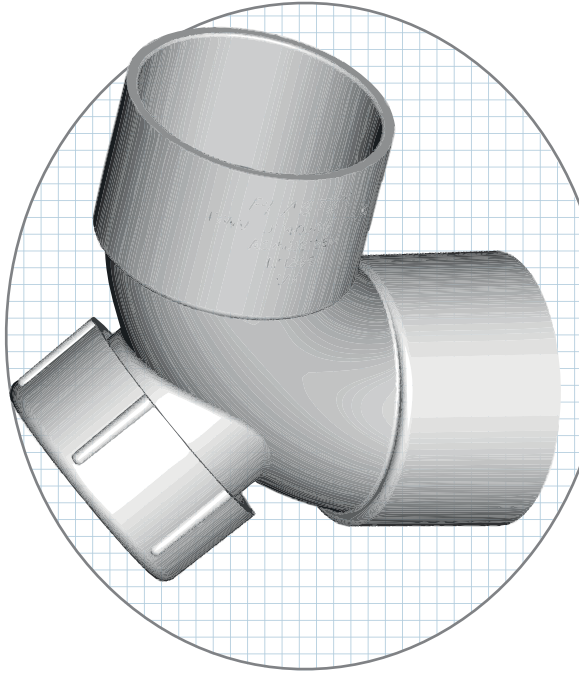


Inspection Opening Bends Female/Female - 88°



ID	INLET (MM)	OUTLET (MM)	W	H
19121	40 Socket	40 Socket	88	100
17899	50 Socket	50 Socket	88	100
17900	65 Socket	65 Socket	88	110



Related Products: • IO Pipe, IO Expansion Coupling, Left/Right Hand
Access also available.

Measurements (mm)

