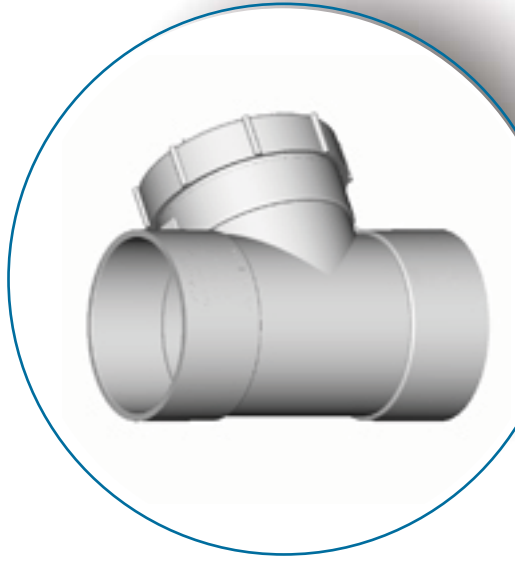


## Product Specifications

# DWV CivilTec Super Heavy Duty Inspection Opening Pipes

Solvent Weld - Female/Female

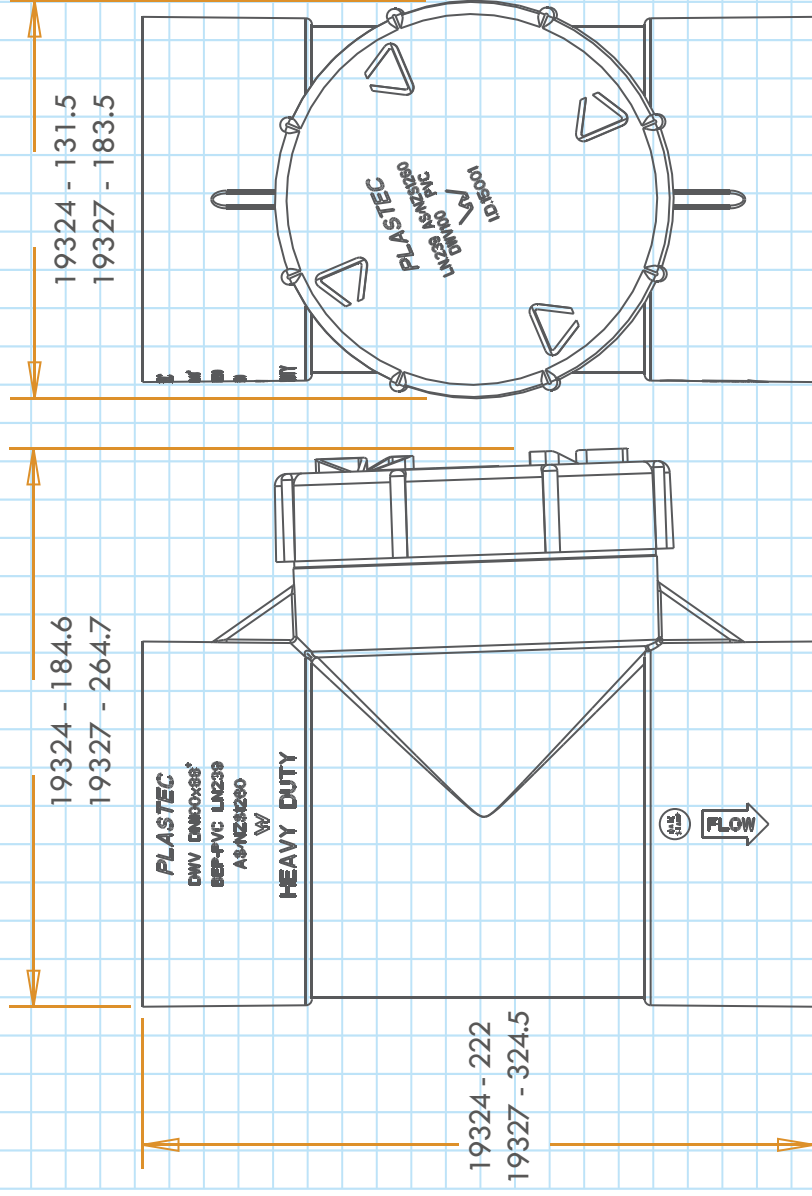
- Increased wall thickness for additional support.
- Suitable for use in reactive soils.



ID	Ø	WALL THICKNESS
19324	100	5
19327	150	6

Related Products: Rubber Ring Joint version also available. CivilTec Super Heavy Duty range also includes other fittings, visit [www.plastec.com.au](http://www.plastec.com.au) for details.

### Measurements (mm)



PLASTEC



WaterMark  
AS/NZS 1260  
239