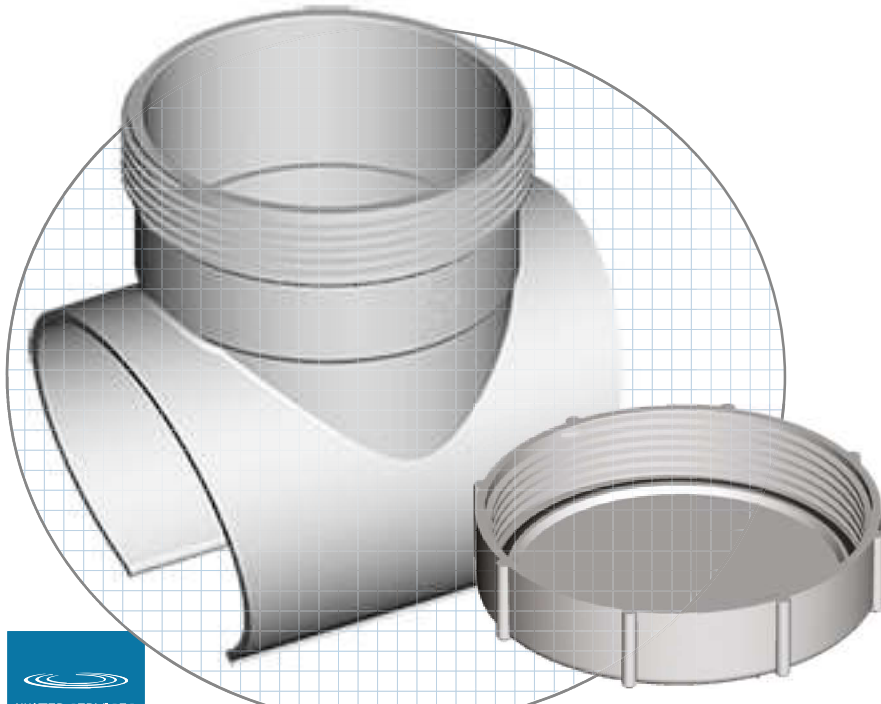



Snap Tees

DWV Inspection Tees

- 19372 Snap Tee only
- 19616 Includes Threaded Screw Cap (19372 Snap Tee + 15001 Threaded Screw Cap)
- Plastec recommends using 102mm Hole Saw for drilling pipe
- Ideal to be used on cast iron stacks as a repair/inspection point
- Solvent weld to the host pipe



ID	OUTLET (MM)	BRANCH (MM)	
19372	100	100	24
19616 (+cap)	100	100	23

Measurements (mm)

