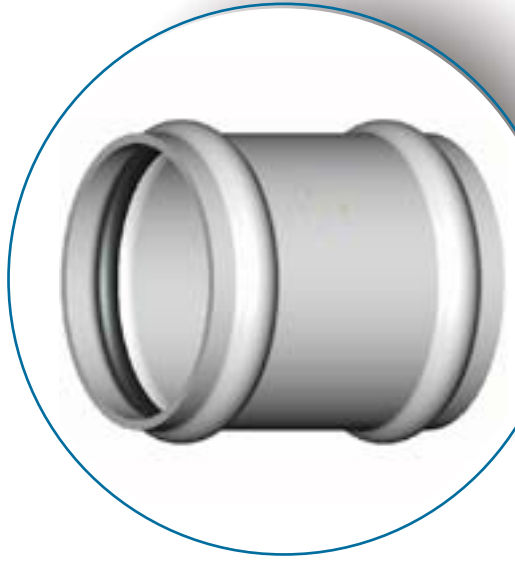


## Product Specifications

### DWV CivilTec Super Heavy Duty Couplings

Rubber Ring Joint x 2 - Female/Female

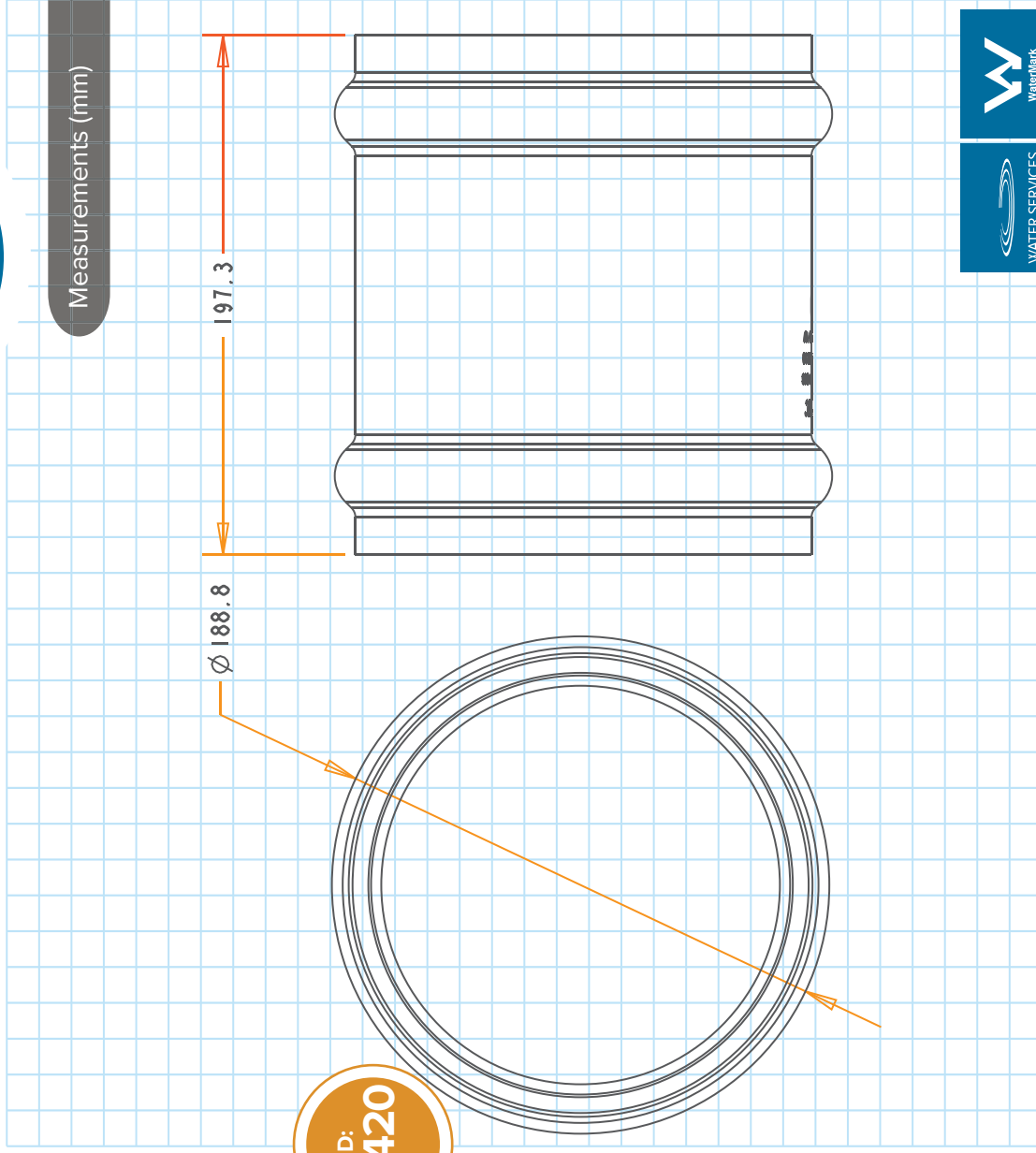
- Increased wall thickness for additional support.
- Suitable for use in reactive soils.



ID	Ø	WALL THICKNESS
19420	150	6

Related Products: CivilTec Super Heavy Duty range also includes other fittings, visit [www.plastec.com.au](http://www.plastec.com.au) for details.

ID:  
**19420**



PLASTEC

