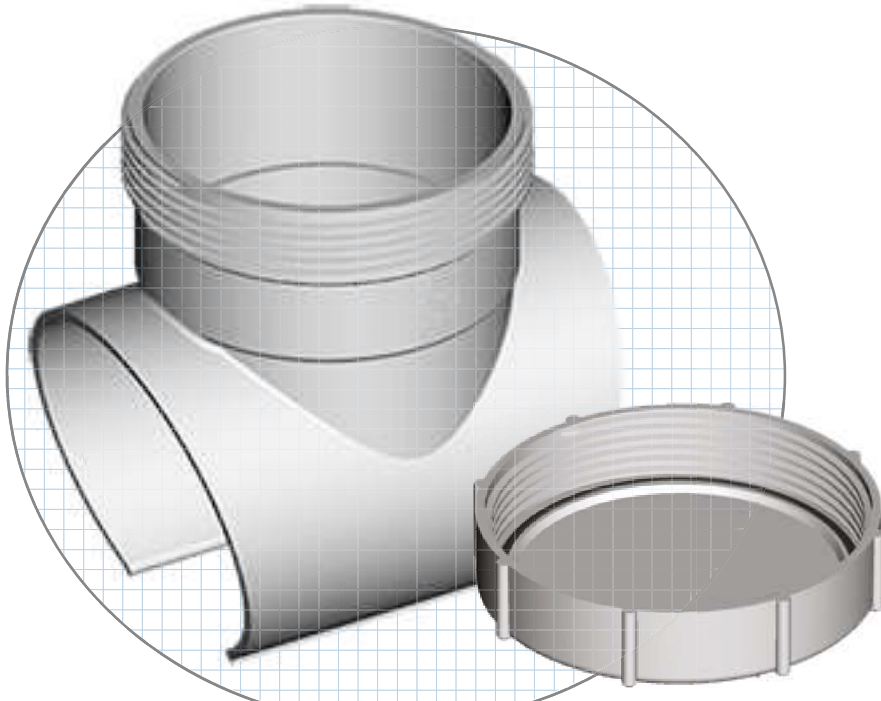



Snap Tees

Stormwater Inspection/Branching Tees

- 19693 Snap Tee only
- 19726 Includes Threaded Screw Cap (19726 Snap Tee + 15004 Threaded Screw Cap)
- Plastec recommends using 92mm Hole Saw for drilling pipe
- Solvent weld to the host pipe



ID	OUTLET (MM)	BRANCH (MM)	
19693	90mm	90mm	48
19726	90mm	90mm	40

Measurements (mm)

