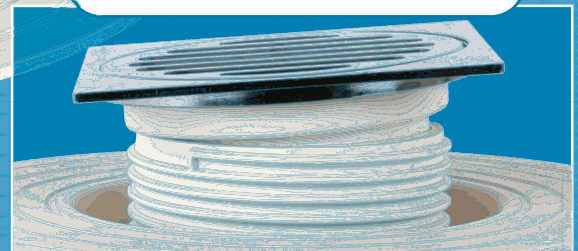
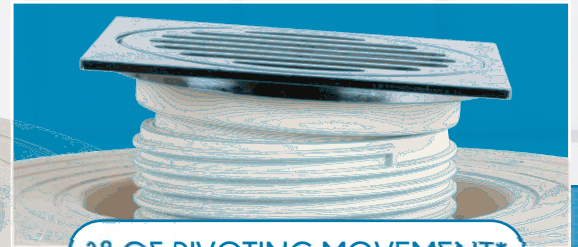
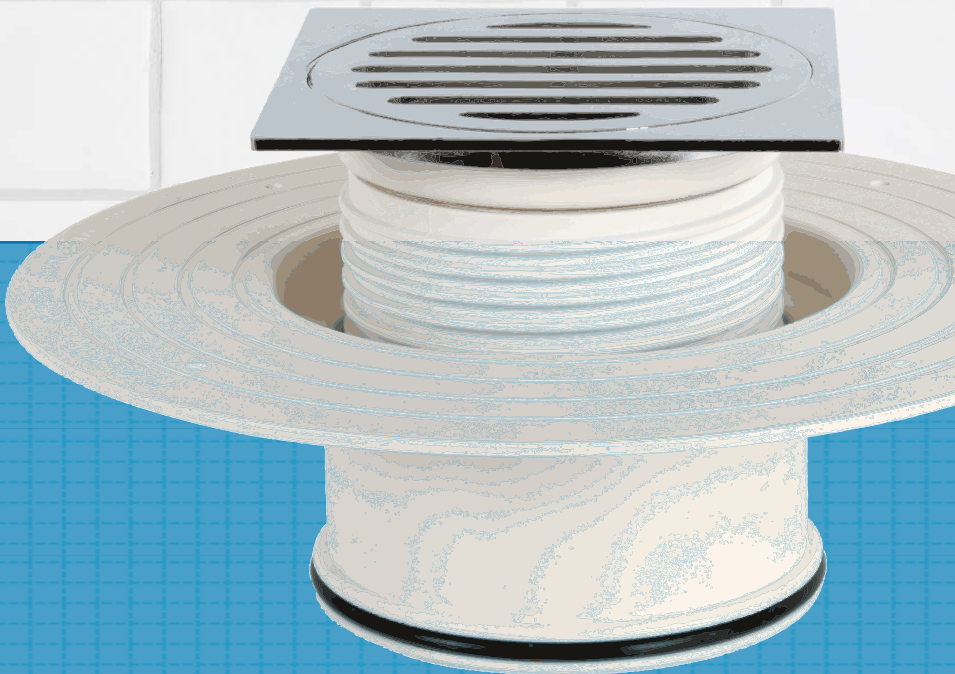




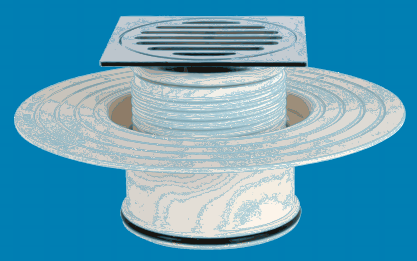
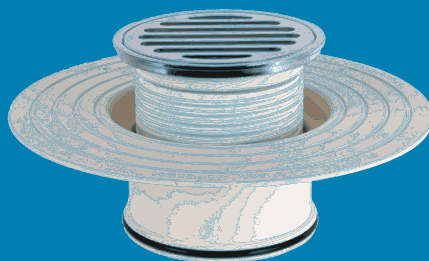
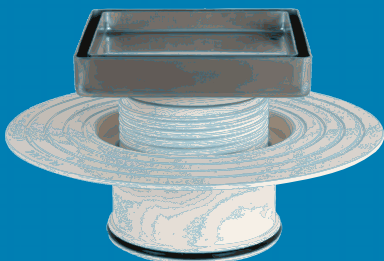
PLASTEC
INNOVATIVE PLUMBING SOLUTIONS

ULTIMATE FLOOR WASTE

Grate **screws flat to flange** significantly reducing tile bed height requirements
Advanced **pivoting mechanism** for a superior fit on uneven tile beds



* ON 100MM AND 80MM VERSIONS

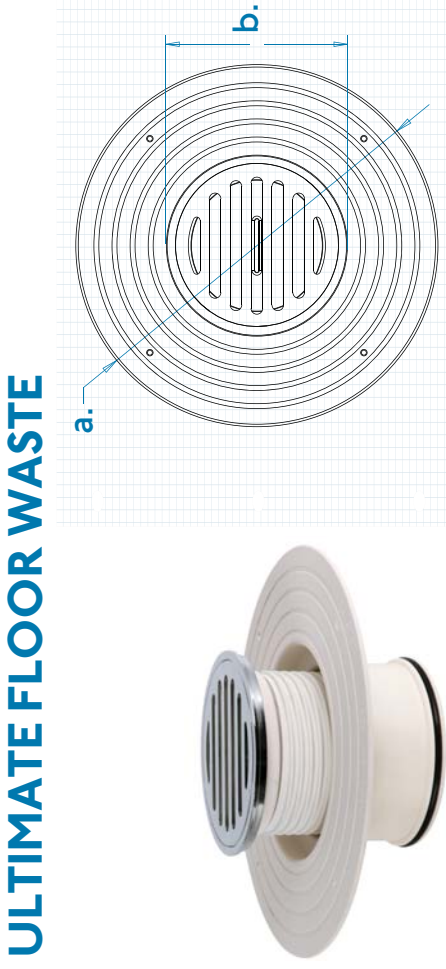


WWW.PLASTEC.COM.AU

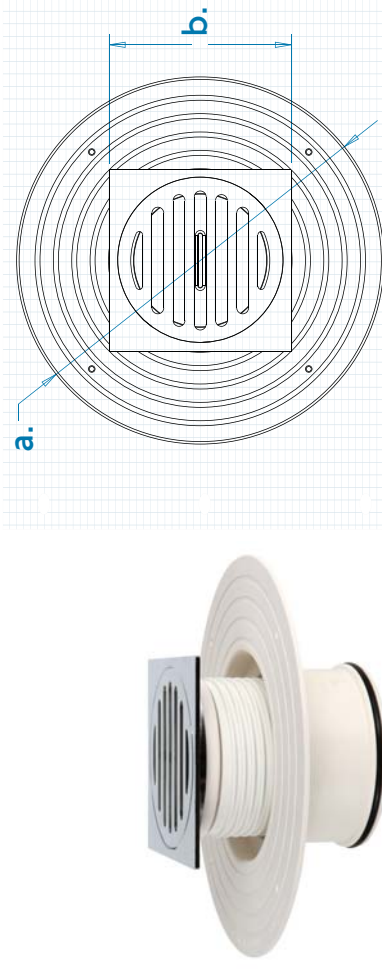
LIKE US ON FACEBOOK



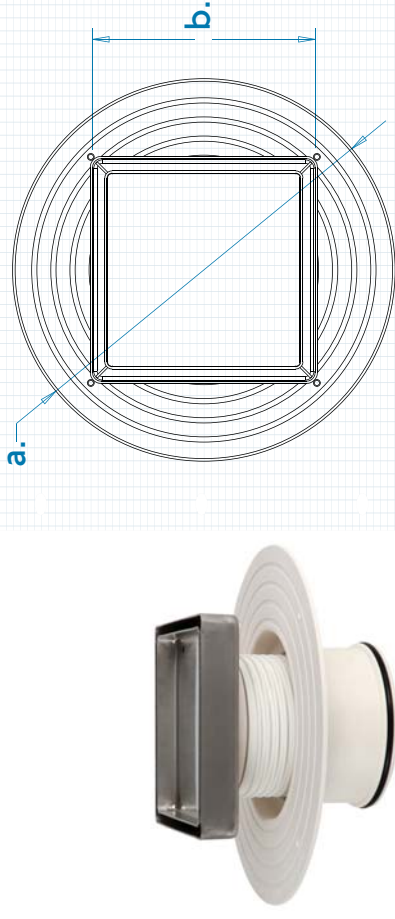
ULTIMATE FLOOR WASTE



ID	Ø	MEASUREMENTS			
		a.	b.	c.	d.
ROUND					
17524	100MM	220mm	109mm	7mm	0-40mm
17547	100MM	220mm	109mm	7mm	0-40mm
17540	80MM	190mm	85mm	7mm	0-40mm
17543	80MM	190mm	85mm	7mm	0-40mm
18062	80MMX50MM	168mm	85mm	9.8mm	0-40mm
18064	80MMX50MM	168mm	85mm	9.8mm	0-40mm

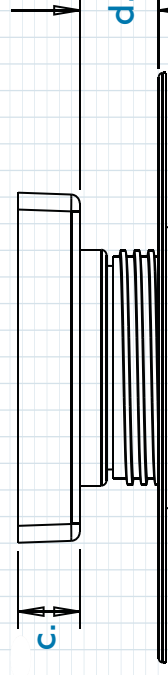


ID	Ø	MEASUREMENTS			
		a.	b.	c.	d.
SQUARE					
17525	100MM	220mm	109mm	7mm	0-40mm
17548	100MM	220mm	109mm	7mm	0-40mm
17541	80MM	190mm	85mm	7mm	0-40mm
17544	80MM	190mm	85mm	7mm	0-40mm
18063	80MMX50MM	168mm	85mm	9.8mm	0-40mm
18065	80MMX50MM	168mm	85mm	9.8mm	0-40mm

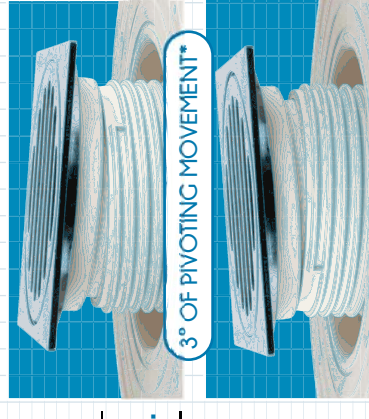
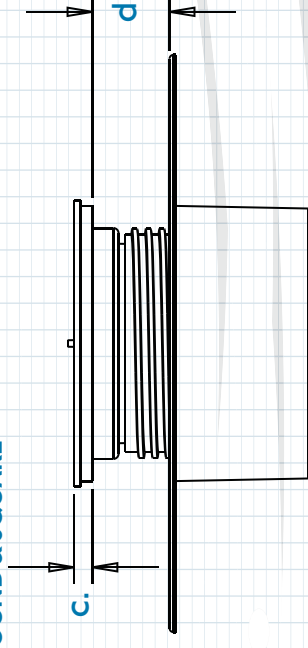


ID	Ø	MEASUREMENTS			
		a.	b.	c.	d.
SMART TILE					
17522	100MM	220mm	128mm	23mm	0-40mm
17546	100MM	220mm	128mm	23mm	0-40mm
17542	80MM	190mm	128mm	23mm	0-40mm
17545	80MM	190mm	128mm	23mm	0-40mm
17661	50MM	180mm	128mm	23mm	3-32mm
17669	50MM	180mm	128mm	23mm	3-32mm

SMART TILE



ROUND & SQUARE



3° OF PIVOTING MOVEMENT*

* 3 DEGREE PIVOT ON 100MM & 80MM VERSIONS
LIMITED PIVOT ON 50MM VERSIONS.

NOTE: THREADED ADAPTER ON 100MM & 80MM VERSIONS ONLY



REUSE
RECYCLE
PLASTEC AUSTRALIA
ENCOURAGES THE REUSE
AND RECYCLE OF ALL OUR
PACKAGING MATERIALS
WHEREVER POSSIBLE